

# USE AND MAINTENANCE MANUAL



## Filtering unit SLENDID VAC 200

### Contents:

- 1. INTRODUCTION .....2
- 2. PURPOSE .....2
- 3. RESERVATIONS OF MANUFACTURER .....2
- 4. TECHNICAL DATA .....2
- 5. STRUCTURE AND FUNCTION .....3
- 6. ASSEMBLY AND STARTUP .....4
- 7. OPERATIONAL USE .....6
- 8. TROUBLESHOOTING GUIDE .....7
- 9. MAINTENANCE .....7
- 10. OCCUPATIONAL HEALTH AND SAFETY .....7
- 11. TRANSPORT AND STORAGE .....8
- 12. TERMS OF WARRANTY .....8
- 13. DECLARATION OF CONFORMITY .....8

Producer: **KLIMAWENT S.A.**  
81-571 Gdynia, ul. Chwaszczyńska 194  
tel. 58 629 64 80, 58 771 43 40  
fax 58 629 64 19  
email: [klimawent@klimawent.com.pl](mailto:klimawent@klimawent.com.pl)



## 1. INTRODUCTION

The purpose of the present Use and Maintenance Manual is to supply User with directions within the range of application, assembly, start-up and operational use of the **SPLENDID VAC 200** filtering unit.



**Prior to assembly at the place of operation and use, it is important to get thoroughly acquainted with the contents of the present instruction.**



**With regard to continuity of work carried on improvement of our products, we reserve for ourselves the revision possibility of the draft and technological changes improving their functional features and safety.**

Construction of **SPLENDID VAC 200** meets the requirements of the current state of technology as well as the safety and health assurances included in:

**2006/42/EC Directive** of the European Parliament and of the Council of the 17 May, 2006 on machinery, amending the 95/16/EC Directive (recast) / Official Journal EC L157 of the 09.06.2006, page 24);

**2014/35/EC Directive** of the European Parliament and of the Council of the 26 February, 2014 on the harmonisation of the laws of the Member States, relating to the making available on the market of electrical equipment designed for use within certain voltage limits / Official Journal EC L96 of the 29.03.2014;

Is in accordance with the subsequent harmonised standards:

**EN ISO-12100:2012** Safety of machinery – General principles of design – Assessment and reduction of hazard

**EN 60204-1:2018-12** Safety of machinery – Electrical equipment of machines – Part 1: General requirements

**EN ISO 13857:2010** Safety of machinery – Safe distances to prevent hazard zones from being reached by upper and lower limbs

## 2. PURPOSE

As a high-pressure category **SPLENDID VAC 200** filtering unit is designed for extraction and filtration of various sorts of dry dusts that are not aggressive or do not create explosion hazard. Especially, it is applicable for capturing the welding fumes at mobile workplaces. It is a perfect solution for fume extraction through welding torches with an integrated extraction unit (automations for welding in gas shields). Additionally, it can be connected to the welding faceshields with extraction or to other small local exhausts.

Do not apply the filtering unit for fatty fumes emitted during the point welding or welding the oil-laden steel sheets with supportive agents stimulating the welding process (e.g. silspaw). Basic accessory is the high-vacuum suction turbine and the polyester fabric cartridge filter. Therefore the appliance provides efficient capture of small dust particles, even below 0,4µm.

## 3. RESERVATIONS OF MANUFACTURER

- Manufacturer accepts no liability for any consequences following from the operational use that is in contradiction to the purpose of application.
- Installing of any additional elements that are not belonging to the normal device structure (or accessory set) is not acceptable.
- Do not introduce any structural or constructional modifications on the device on one's own.
- Protect the appliance from mechanical damage.
- The filtering unit cannot be used for extraction of the air containing viscous and aggressive contaminants that would damage the filters, or for dusts creating explosion hazard.
- **In the course of operational use, any ignition sources, i.e. cigarettebutts / embers must not get drawn into the filtration chamber.**

## 4. TECHNICAL DATA

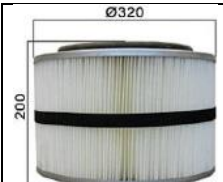
Table No.1

Type	Maximum vacuum of the suction turbine	Suction efficiency	Motor rate	Supply voltage	Acoustic pressure level	Weight
	[Pa]	[m <sup>3</sup> /h]	[kW]	[V; Hz]	[dB(A)]	[kg]
SPLENDID VAC 200-S	30000	225	1,6	230; 50	72	30,5
SPLENDID VAC 200-A	30000	225	1,6	230; 50	72	31,0


**CAUTION:** 1) filtration efficiency 99,9%  
 2) marking: S – manual control; A – automatic control  
 3) capacity of the waste container 15 dm<sup>3</sup>

Spare parts

Table No.2 – Cartridge filter

	Type	Weight [kg]	Filtration efficiency [%]	Remarks
	PN032032U	4,2	99,9	replacement frequency 1 – 2 years

**Table No.3 – Turbine**

	Type	Weight [kg]	Remarks
	AS 309,5	1,4	replacement frequency approximately after 1000 hours of use

**Table No.4 – Additional equipment**

Name	Type	Remarks
magnetic slot nozzle	SMS-44-500	nozzle is designed for extraction of welding fumes during longitudinal welding
	SMS-44-650	
magnetic point nozzle	SMP-44-400	nozzle is designed for extraction of welding fumes during point welding
dust collecting nozzle	SC-50	–
pipe	S-50	–
connector	Z50/44	–
hose	PCV FLEX-44	an extraction hose – standard length 15 metres

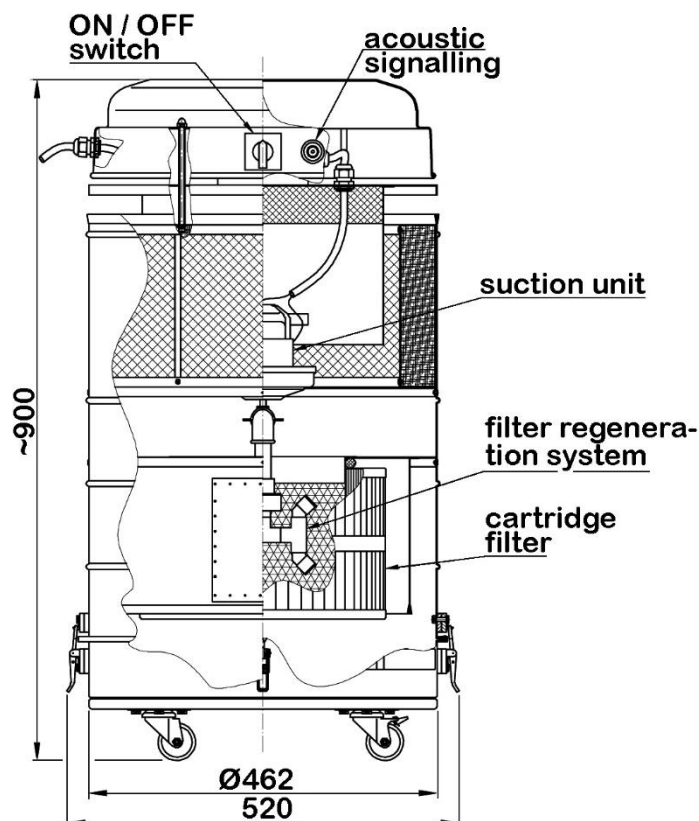
**5. STRUCTURE AND FUNCTION**

SPLENDID VAC 200 consists of subsequent elements:

- cylindrical steel housing
- suction turbine
- cartridge polyester filter
- rotary nozzle – for regeneration of the cartridge filter
- suction socket – an accessory for the socket is the connector for the hose  $\varnothing 44$  mm
- compressed air valve at the connection to the rotary nozzle – manual or electromagnetic, depending on the control mode
- control unit (version for manual- or automatic control)
- waste container – with a set of castor wheels

Each of the models of SPLENDID VAC 200 includes two options of control

- standard control (manual) SPLENDID VAC 200-S
- automatic control SPLENDID VAC 200-A



**Fig. No.1 – SPLENDID VAC 200 – Structure, dimensions**

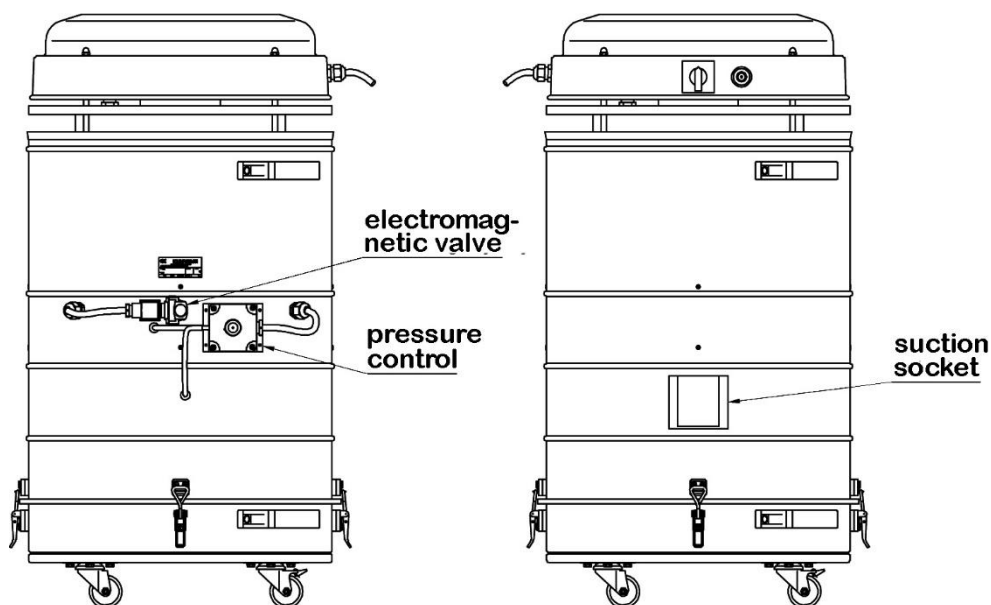


Fig. No.2 – SLENDID VAC 200-S

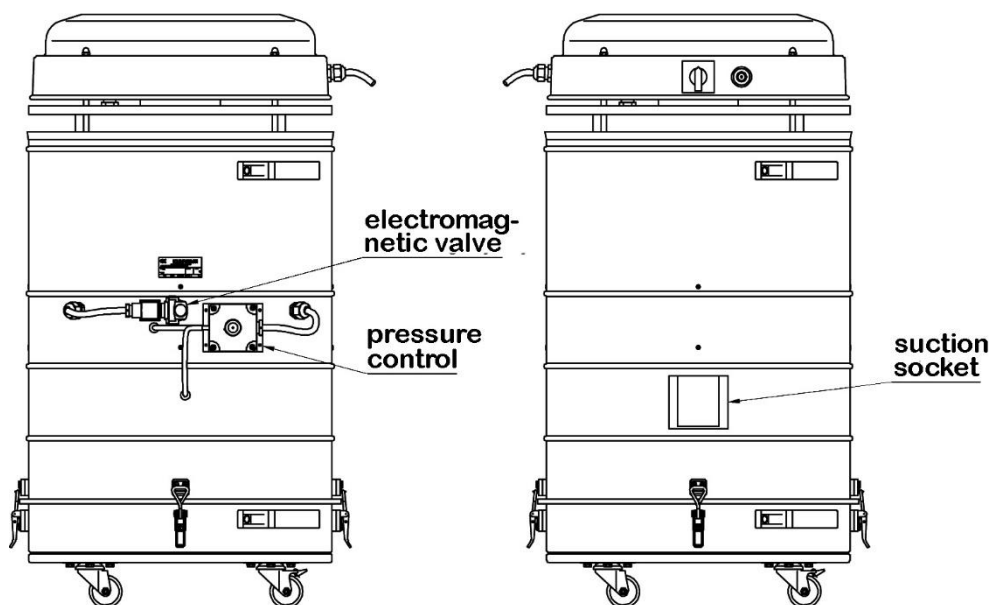


Fig. No.3 – SLENDID VAC 200-A

## 6. ASSEMBLY AND STARTUP

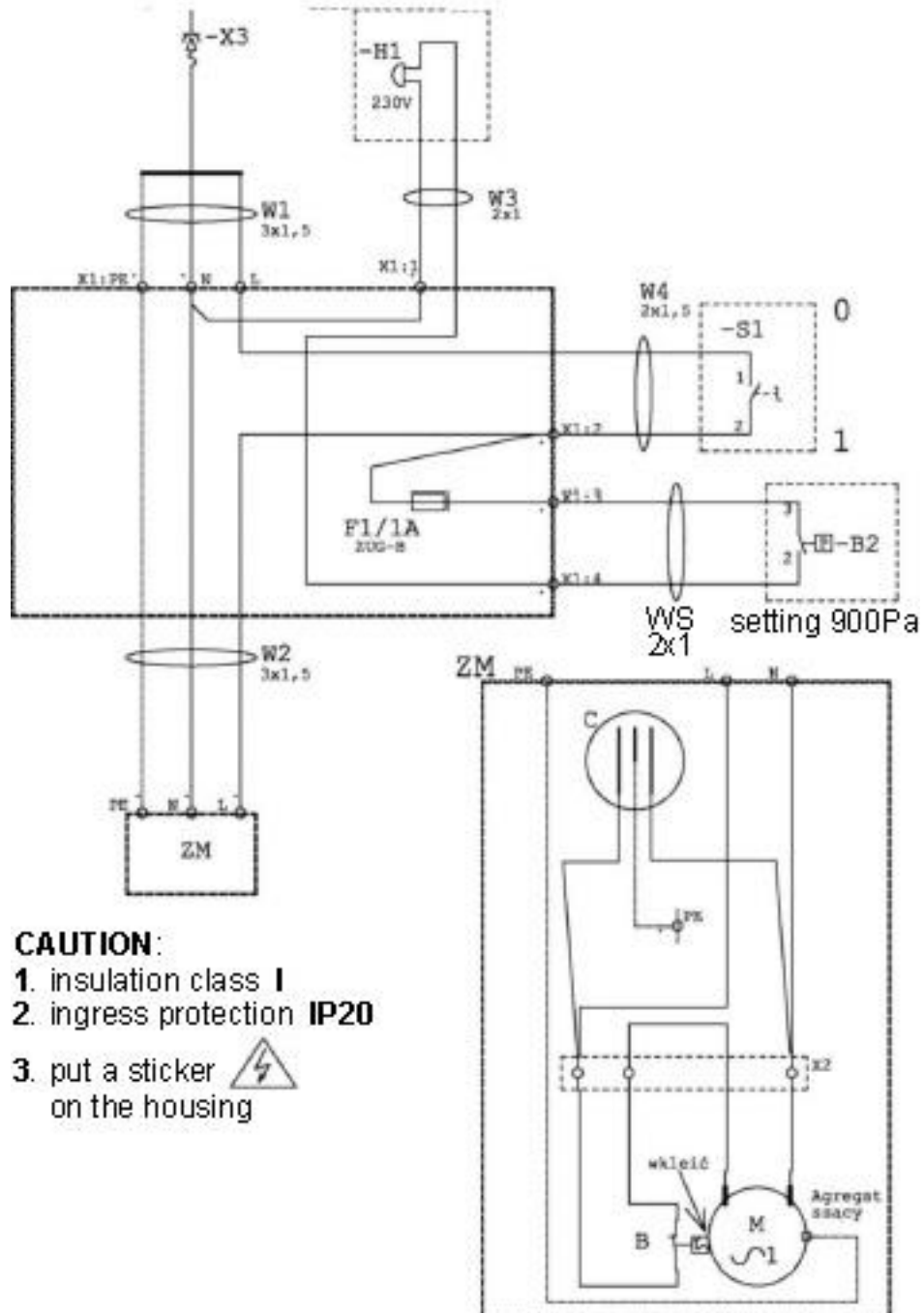
SLENDID VAC 200 requires connection to the external compressed air system of pressure at least 0,6 MPa. The appliance is energised by a 5 metres length power supply cable with a plug 230V; 50Hz.

SLENDID VAC 200-S is operated manually by a motor switch – before that the compressed air valve should be opened for several seconds.

SLENDID VAC 200-A is started by means of a switch – first the electromagnetic valve opens automatically for 3 seconds – subsequently the turbine is operated automatically.

Connection diagrams are illustrated in Fig. No.4 and Fig. No.5.

230V, 50Hz L; N; PE dI=30mA	acoustic signalling (buzzer) the filter is clogged	manual ON / OFF switch presure control (pressostat)
-----------------------------------	--	---




- CAUTION:**
1. insulation class I
  2. ingress protection IP20
  3. put a sticker  on the housing

Fig. No.4 – SPLendid VAC 200-S – Connection Diagram

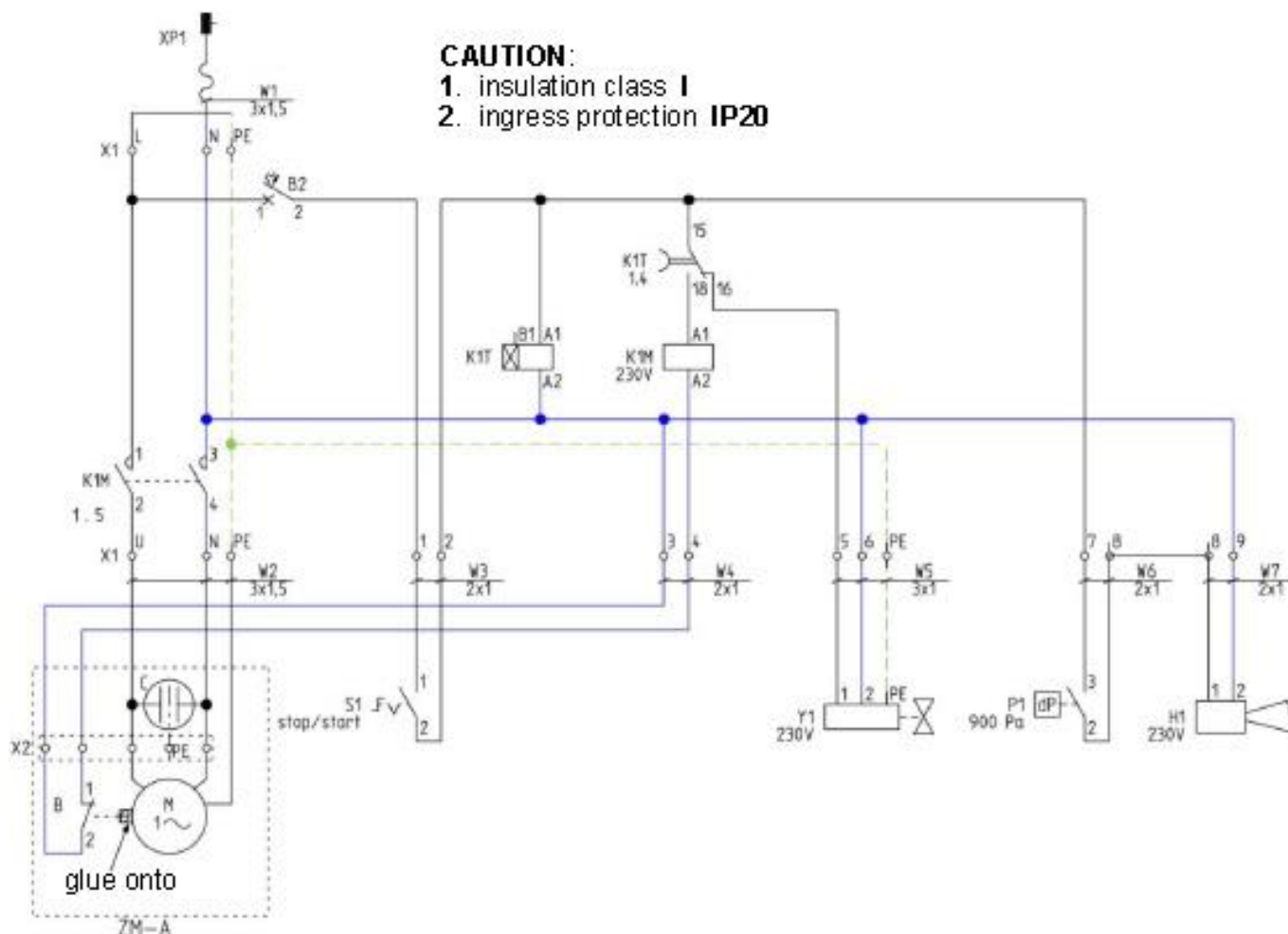


Fig. No.5 – SLENDID VAC 200-A – Connection Diagram

## 7. OPERATIONAL USE

When the acoustic signalling switches on – the cartridge filter is over-polluted. In such a case it is important to disconnect the device and to carry out the filter cleaning. In order to regenerate the filter follow subsequent steps described in Section 6. The jets are blowing the filter through, the struck off dust accumulates in the waste container, which has to be emptied periodically. After opening the four clasp locks, the container on castors wheels can be pulled out from underneath. The cartridge filter ought to be replaced every 1 – 2 years.

Along with the SLENDID VAC 200 it is recommended to use nozzles presented in the **Photo No.1** below:

magnetic point nozzle



magnetic slot nozzle



Photo No.1 – Nozzles for fume extraction for point welding and longitudinal welding





Photo No.2 – Example of application of the device for longitudinal welding

## 8. TROUBLESHOOTING GUIDE

Table No.5

	Problem	Possible reason	Corrective action
1.	the suction capacity decreases along with the increased noise level	an obstacle element / barrier throttling the air flow got stuck in the nozzle or suction hose	unclog the nozzle / hose
2.	impurities are emerging outside the device	the filter is faulty the waste container is not covered tightly	replace the filter close correctly the waste container

## 9. MAINTENANCE

In the course of operational use, maintenance consists in periodical emptying the waste container, systematic filter cleaning and replacement of the cartridge filter. The cartridge filter ought to be replaced every 12 – 24 months, depending on the intensity of use. The construction of the device ensure its operational use without continuous everyday technical supervision. In case when defective function is by noise or visually noticed – undertake its revision. During the revision check: the state of the filter, technical state of the suction turbine – according to the appropriate rules of operational use of electrical drive devices, as well as check the electrical and pneumatic connections.

**Revisions ought to be carried out exclusively at the device disconnected (unplugged) from the power supply system and from the external pneumatic installation.**

## 10. OCCUPATIONAL HEALTH AND SAFETY

For the safety reasons, connect the device to the power supply according to the being in force regulations within the range of personal protection against the electrical shock and the short-circuit- and overload effects.

Any connection activities ought to be executed by a person of adequate qualifications. **Circuits of the sockets ought to be equipped with short-circuit- and differential-current protections (see Connection Diagram).** The appliance meets the requirements of the 2006/42/EC Directive and do not require additional protections for a safe operational use.

**CAUTION:** Any repair ought to be performed after the fan is switched off and disconnected from the power supply system. In overall, follow strictly the general rules of Occupational Health and Safety.

## 11. TRANSPORT AND STORAGE

The appliance ought to be stored in a dry and well ventilated room. The area should be free from aggressive substances. During the transport protect the device from overturn and an uncontrolled slide / displacement. The transport / reloading ought to eliminate the hazard of damage, scratching, indents of the housing. Pay attention that the packages would not get damaged, and the markings on the surface would not get obliterated or detached.

## 12. TERMS OF WARRANTY

The period of warranty for the purchased device is indicated in the **Card of Warranty**. The warranty does not comprise:

- device failures caused during the use which is in contradiction with the purpose of application and with the present Use and Maintenance Manual,
- mechanical damage and malfunctions caused by User,
- changes / structural modifications undertaken by User on one's own,
- malfunctions resulting from the improper transport, storage or incorrect maintenance.
- inefficiency following from the normal operational exhaustion,
- suction units – as they have restricted operational life; **their longevity is estimated for 1000 hours of continuous work.**

Infringement of the instructions of the present Use and Maintenance Manual shall result in the loss of warranty validity.

## 13. DECLARATION OF CONFORMITY



### DECLARATION OF CONFORMITY EC No. \_\_\_\_\_

Manufacturer (eventually also the authorised representative / importer):

*name:* KLIMAWENT S.A.

*address:* 81-571 GDYNIA, ul. Chwaszczyńska 194

A person, authorised for issuing the technical documentation:

*name and address:* Teodor Świrbutowicz, KLIMAWENT S.A.

hereby declares that the product: **Filtering unit**

*type / model:* **SPLENDID VAC 200**

*serial number:* \_\_\_\_\_

*year of production:* \_\_\_\_\_

Meets the requirements of the subsequent European Directives:

**2006/42/EC Directive** of the European Parliament and of the Council of the 17 May, 2006 on machinery, amending the 95/16/EC Directive (recast) / Official Journal EC L157 of the 09.06.2006, page 24);

**2014/35/EC Directive** of the European Parliament and of the Council of the 26 February, 2014 on the harmonisation of the laws of the Member States, relating to the making available on the market of electrical equipment designed for use within certain voltage limits / Official Journal EC L96 of the 29.03.2014;

The appliance meets the requirements included in:

Meets the requirements of the following harmonised standards:

**EN ISO-12100:2012** Safety of machinery – General principles of design – Assessment and reduction of hazard

**EN 60204-1:2018-12** Safety of machinery – Electrical equipment of machines – Part 1: General requirements

**EN ISO 13857:2010** Safety of machinery – Safe distances to prevent hazard zones from being reached by upper and lower limbs

*place, date*

*signature of the  
authorised person*

*name, surname,  
function of the signatory*