

FPS

MIST EXTRACTION FOR SPRAY PAINTING

FPS-1 WITH A WORTABLE UWT



FPS-2



APPLICATION

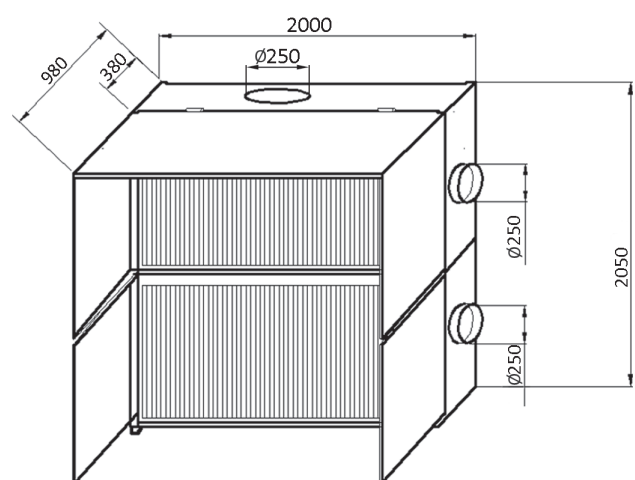
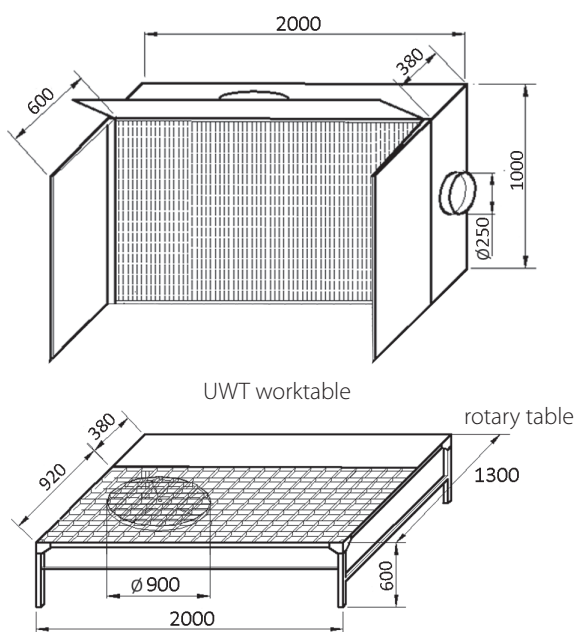
- removal of mist arising during the spray painting of not large elements

FEATURES

- one-segment- and two-segment version
- two filtration segments: labyrinth filter and non-woven filter
- each segment is equipped with a connection for the fan

ADVANTAGES

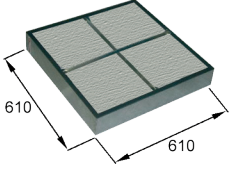
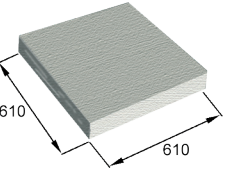
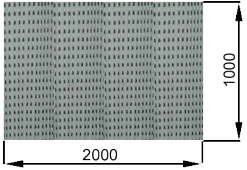
- two-step filtration system
- filtration efficiency 90%
- it is possible to change the installing position of the connection, from one side surface to another
- two swinging side boards and one upper board
- it is possible to install the FPS-1 on the UWT worktable



PAINING WALLS AND WORKTABLE

Type	Part No.	Recommended volume flow [m ³ /h]	Flow resistances [Pa]	Weight [kg]
FPS-1	814S02	3000	350	97
FPS-2	814S04	6000	350	183
UWT	814S00	—	—	160

REPLACEABLE FILTERS

Sort of the filter	Type	Filter class	Part No.	Liczba
 filtration cassette with non-woven	KF	G3	838K01	3 pieces for FPS-1 6 pieces for FPS-2
 replaceable filtration non-woven for the above mentioned cassette	WF	G3	838W20	3 pieces for FPS-1 6 pieces for FPS-2
 perforated labyrinthine filter	PL	G1	838F25	1 piece for FPS-1 2 pieces for FPS-2

FANS

Paint wall should be connected to the fan serving one single paint wall, or to a ventilation system connected to one central fan. Fans should be of Ex execution. As the extracted air is discharged outside the building, it is recommended to apply roof fans. For selection of the fans see information in Section FANS.