

WPA-E-N/Ex – stand fan



II 2 G c Ex e II T3

Purpose

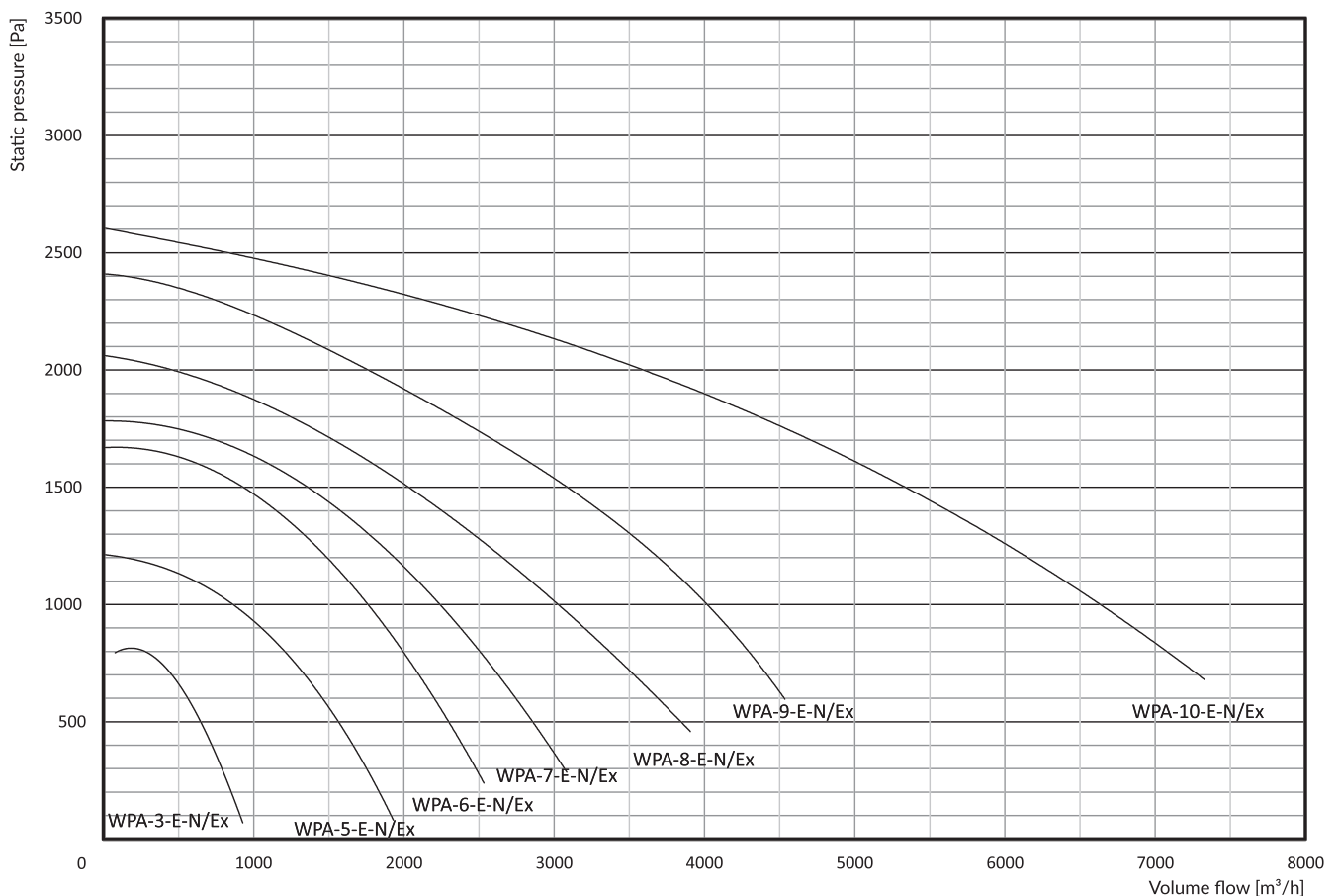
The WPA-E-N/Ex fans have been designed for application in the areas of explosion risk, where explosive atmosphere (i.e. mixture of flammable compounds in the form of gas and vapour with the air) is likely to occur.

Increased fan pressure make them particularly efficient within installations of local exhausts, filtering units and also within a system of significant flow resistances. They are installed on wall brackets inside and outside the rooms.

Structure

The fan consists of a spiral steel housing, Ex motor, and aluminium radial impeller. The impeller is directly installed at the motor shaft (direct drive). Impeller blades cross-section reminds the profile of an aircraft wing, providing low acoustic pressure level. The fan inlet is equipped with a flange to install it on a wall bracket or on a filtering unit. The outlet is ended with a round ferrule to fasten safely a spiral-seam conduit (rigid duct) or to make flexible connections. For safety reason, the inlet and outlet are equipped with a protective grill.

It is recommended to install TK silencers at the fan inlet and outlet (for details see catalogue card INSTALLATION ELEMENTS).

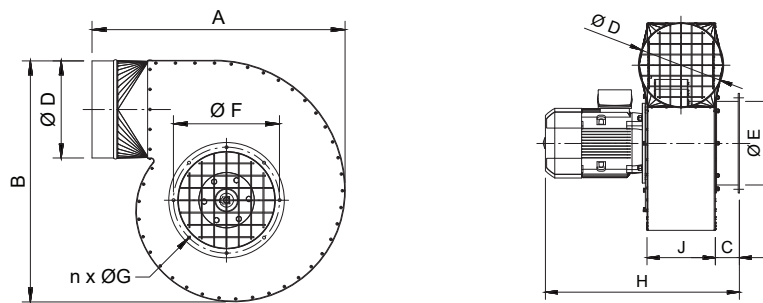


Technical data

Type	Part no.	Marking	Synchronous rotations* [1/min]	Supply voltage [V]	Motor rate [kW]	Ingress protection IP	Acoustic pressure level [dB(A)] from a distance of:		Maximum volume flow [m³/h]	Maximum vacuum [Pa]	Weight [kg]
							1 m	5 m			
WPA-3-E-N/Ex	888W01	II 2 G c Ex e II T3	3000	3x400	0,25	54	69/61**	55/47**	950	800	12,5
WPA-5-E-N/Ex	888W02	II 2 G c Ex e II T3	3000	3x400	0,55	54	76/67**	62/53**	1900	1250	17
WPA-6-E-N/Ex	888W03	II 2 G c Ex e II T3	3000	3x400	0,75	54	83/75**	69/61**	2500	1700	20
WPA-7-E-N/Ex	888W04	II 2 G c Ex e II T3	3000	3x400	1,1	54	86/74**	72/60**	3100	1800	23
WPA-8-E-N/Ex	888W05	II 2 G c Ex e II T3	3000	3x400	1,5	54	88/78**	74/64**	3900	2050	31
WPA-9-E-N/Ex	888W06	II 2 G c Ex e II T3	3000	3x400	2,2	54	91/82**	77/68**	4500	2400	38
WPA-10-E-N/Ex	888W07	II 2 G c Ex e II T3	3000	3x400	4,0	54	91/87**	77/67**	7400	2600	66

* The fan motors are not adapted for application with a rotational speed governor.

** Measurement has been carried out with the additional TK L = 500 mm silencer installed at the fan inlet and outlet (for WPA-3-E-N/Ex apply the TK L = 370 mm silencer).



Dimensions

Type	A [mm]	B [mm]	C [mm]	ØD [mm]	ØE [mm]	ØF [mm]	n [pc.]	ØG [mm]	H [mm]	J [mm]
WPA-3-E-N/Ex	410	385	50	125	125	155	6	6,5	400	130
WPA-5-E-N/Ex	480	480	60	160	160	194	6	6,5	420	140
WPA-6-E-N/Ex	490	505	60	160	160	194	6	6,5	445	140
WPA-7-E-N/Ex	550	520	60	200	160	194	6	6,5	460	155
WPA-8-E-N/Ex	570	550	60	200	200	224 234 246	8 6 8	9,0 6,5 9,0	490	155
WPA-9-E-N/Ex	615	620	60	200	200	224 234 246	8 6 8	9,0 6,5 9,0	520	155
WPA-10-E-N/Ex	645	625	100	250	250	274	8	9,0	670	232