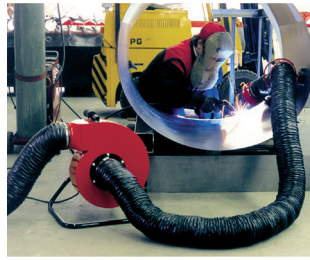


WPA-P-N – portable fan



Portable fan working with a magnetic hood during the welding process



Portable fan applied for drying a humid wall

Purpose

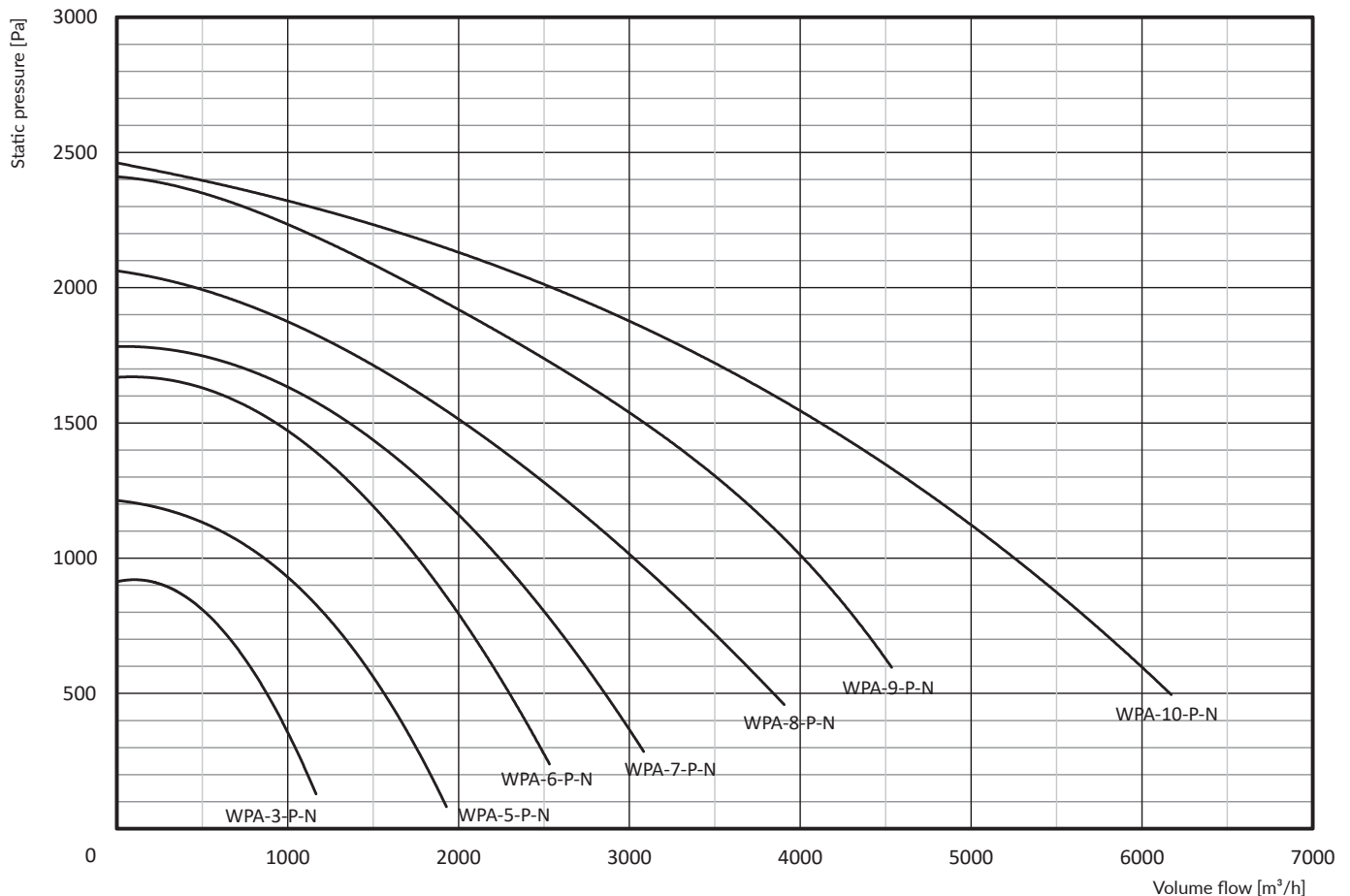
Principally, portable radial fans are meant for use in air-supply- or extraction ventilation systems of rooms and workplaces. They can be applied, both for general ventilation and local exhausts (technological extraction). Additionally, WPA-P-N fans can be applied for drying the humid rooms by forcing the multiple air exchanges. They meet the requirements of the ErP 2009/125/EC Directive.

Structure

The fan consists of a steel spiral housing, a motor and a base framework. Its aluminium radial impeller is directly installed on the motor shaft (direct drive). The cross-section of the impeller blades reminds the profile of an aircraft wing, providing low acoustic pressure level of the fan. For safety reasons, the inlet and outlet are equipped with protective grill and are adapted for fastening the flexible hoses (by means of hose clamps). As standard, the fans are equipped with motor starters. Each fan is supplied with a five-metre-long cable with a plug.

Operational Use

In case of local extraction ventilation, it is important to fasten a flexible hose (of appropriate diameter) to the fan inlet. Additionally, the hose must have a suitable suction nozzle attached at its end. Example of application of a magnetic hood is illustrated in a photograph. In case of general ventilation, it is important to supply a hose into the ventilated room, whereby the hose must be connected to the suction ferrule or outlet ferrule of the fan.

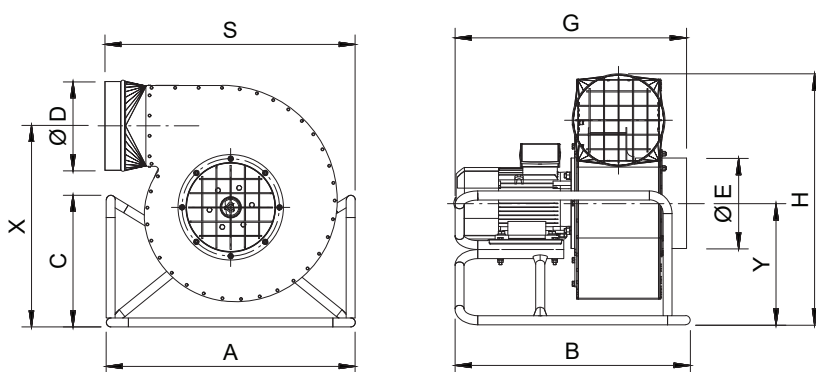


Technical data

Type	Part no.	Synchronous rotations [1/min]	Supply voltage [V]	Motor rate [kW]	Ingress protection IP	Acoustic pressure level [dB(A)] from a distance of:		Maximum volume flow [m ³ /h]	Maximum vacuum [Pa]	Weight [kg]
						1 m	5 m			
WPA-3-P-1-N	805W10	3000	230	0,25	54	78	64	1160	940	12
WPA-3-P-3-N	805W21	3000	3x400	0,25	54	78	64	1160	940	12
WPA-5-P-1-N	805W11	3000	230	0,37	54	76	62	1900	1250	18
WPA-5-P-3-N	805W12	3000	3x400	0,37	54	76	62	1900	1250	18
WPA-6-P-1-N	805W13	3000	230	0,75	54	83	69	2500	1700	24
WPA-6-P-3-N	805W14	3000	3x400	0,75	54	83	69	2500	1700	24
WPA-7-P-1-N	805W15	3000	230	1,1	54	86	72	3100	1800	26
WPA-7-P-3-N	805W16	3000	3x400	1,1	54	86	72	3100	1800	26
WPA-8-P-3-N	805W17	3000	3x400	1,5	54	88	74	3900	2050	35
WPA-9-P-3-N	805W18	3000	3x400	2,2	54	91	77	4500	2400	44
WPA-10-P-3-N	805W20	3000	3x400	3,0	54	91	77	6200	2450	55

1. Maximum temperature of the conveyed air is +60°C. Maximum temperature within the work area +40°C.

2. Maximum dustiness of the conveyed air should not exceed 0,3 g/m³.




Dimensions

Type	A [mm]	B [mm]	C [mm]	D [mm]	E [mm]	S [mm] ²	G[mm] ²	X [mm]	Y [mm]	H [mm] ²
WPA-3-P-1-N	465	425	- ¹	125	125	455	420	360	205	425
WPA-3-P-3-N										
WPA-5-P-1-N	475	440	- ¹	160	160	465	440	425	235	500
WPA-5-P-3-N										
WPA-6-P-1-N	475	440	- ¹	160	160	500	450	450	245	525
WPA-6-P-3-N										
WPA-7-P-1-N	615	515	355	200	160	615	515	480	285	585
WPA-7-P-3-N										
WPA-8-P-3-N	615	515	355	200	200	625	515	500	300	605
WPA-9-P-3-N	670	565	415	200	200	670	565	560	320	665
WPA-10-P-3-N	700	650	370	250	250	705	650	565	335	695


1. The construction of the framework does not feature an arm element branching upwards.

2. Dimension between the terminal points of the device.


Magnetic hoods

	Type	Part no.	Diameter [mm]
	SM-125	818S01	125
	SM-160	818S02	160
	SM-200	818S03	200

Magnetic holder of the hose

	Type	Part no.	Diameter [mm]
	PSM-125	818P01	125
	PSM-160	818P02	160
	PSM-200	818P03	200

Suction stand

	Type	Part no.	Inlet diameter [mm]	Connection diameter [mm]
	S-152	818S04	200	152

See section VENTILATION ACCESSORIES



flexible hose ST/MP