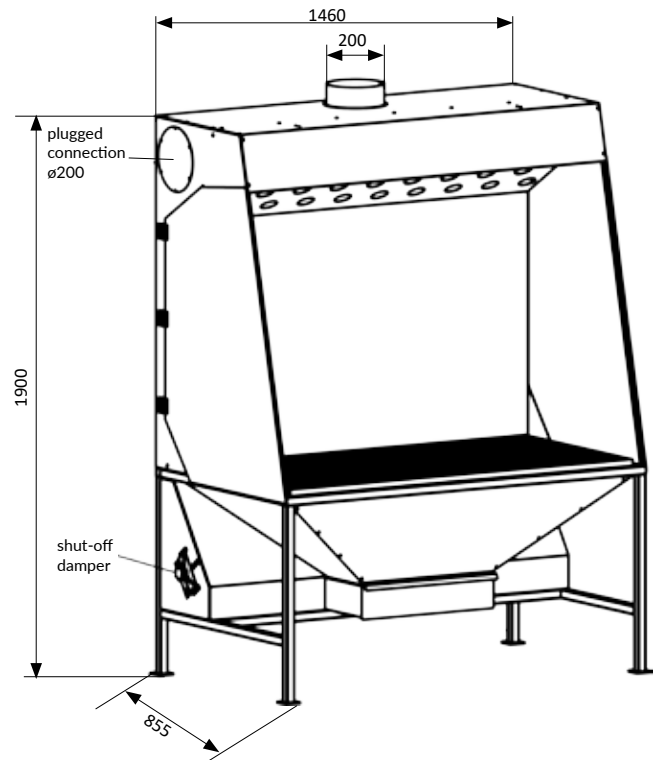
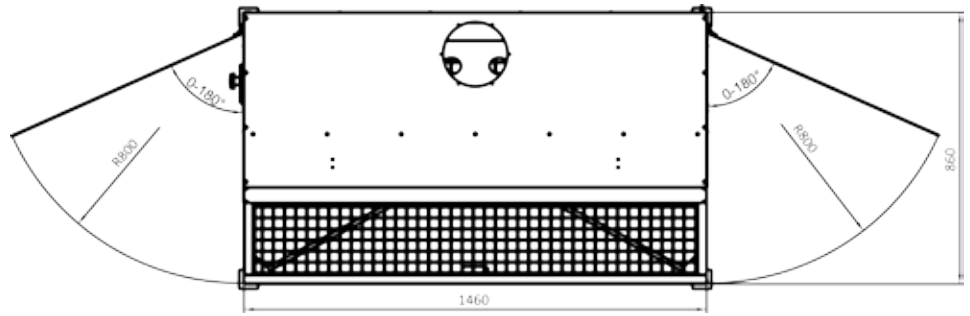


UES-N – grinding-welding stand



Purpose

The filtering stand is applied for capturing the dust- and gas particles, arising during grinding with portable grinding tools and during welding-locksmith activities. The filtering stand can work with an extraction fan or with a filtering unit. Due to the swinging side doors, it is possible to put on the table elements of total length, larger than the table width, itself.

Structure

The device consists of following elements:

- worktable with a grate made of a supporting grill,
- half-open housing,
- suction chamber with a drawer,
- adjusting shut-off damper,
- light set to light up the work area,
- connection for outlet conduit,
- swinging doors – on the left- and right side.

On choice, the connection fitting piece can be fixed on the upper housing surface, its side walls or on the side surface of the suction chamber. The air is drawn downwards through the grate of the suction chamber or upwards through the openings in upper part of the housing. The air division (i.e. upflow-extraction/downflow-extraction) is controlled by a shut-off damper, placed in the suction chamber housing.

Technical data

Type	Part no.	Dimensions of the worktable [mm]	Hole size in the grate [mm]	Weight [kg]	Recommended volume flow [m³/h]	Flow resistances [Pa]
UES-N	802U32	1400x707	30x44	150	2400	250

NOTE: Ordering the devices and accessories specify their name and Part no.