

WW-302-KL - extraction wall fan

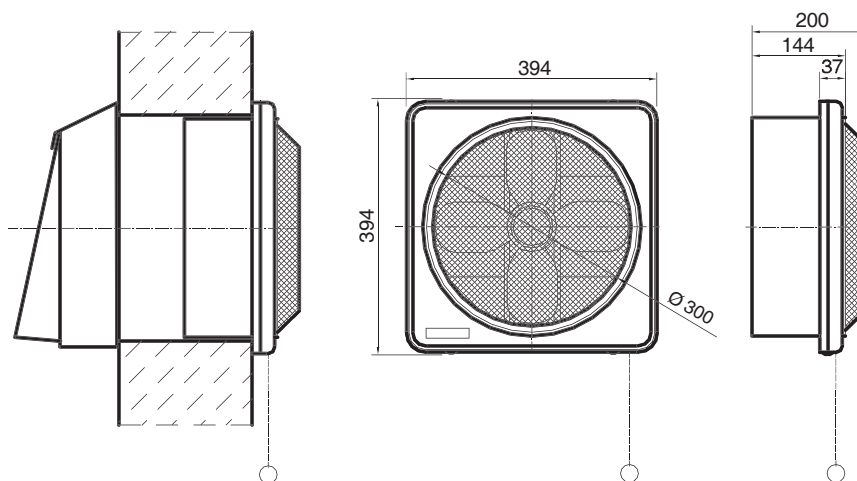


Purpose

WW-302-KL fan is meant for general ventilation of production halls, workshops, shops and storehouses. They are installed directly in the wall openings and windows.

Structure

The fan consists of a square steel sheet housing, with centrally located motor. The impeller is directly installed at the motor shaft. The fan inlet is shielded with a wire mesh. The back of the fan is made of a self-swinging shutter. Standard equipment of the fan is the swinging guard, protecting the fan from atmospheric factors, wind and directing the air outlet stream downwards. The fan is equipped with a pull rope ON/OFF switch. The appliance can work in vertical position only.



Technical data

Type	Part no.	Diameter [mm]	Supply voltage [V]	Synchronous rotations [1/m]	Motor rate [W]	Nominal volume flow [m ³ /h]	Acoustic pressure level [dB(A)] from a distance of 4 m	Ingress protection IP	Weight [kg]
WW-302-KL	806W01	300	230	1100	42	960	50	42	4,5

1. Maximum temperature of the forwarded air is +60°C. Maximum temperature within the work area +40°C.

2. The fans can be applied for conveying the dry air of maximum dustiness 0,3 g/m³.