

WPA-S-N – stationary fan



Purpose

Principally, designed for air-supply- or extraction ventilation of rooms and workplaces, are recommended especially for use with system of local exhausts. They can be installed stationary in a ventilation rooms or other technical rooms. They meet the requirements of the ErP 2009/125/EC Directive.

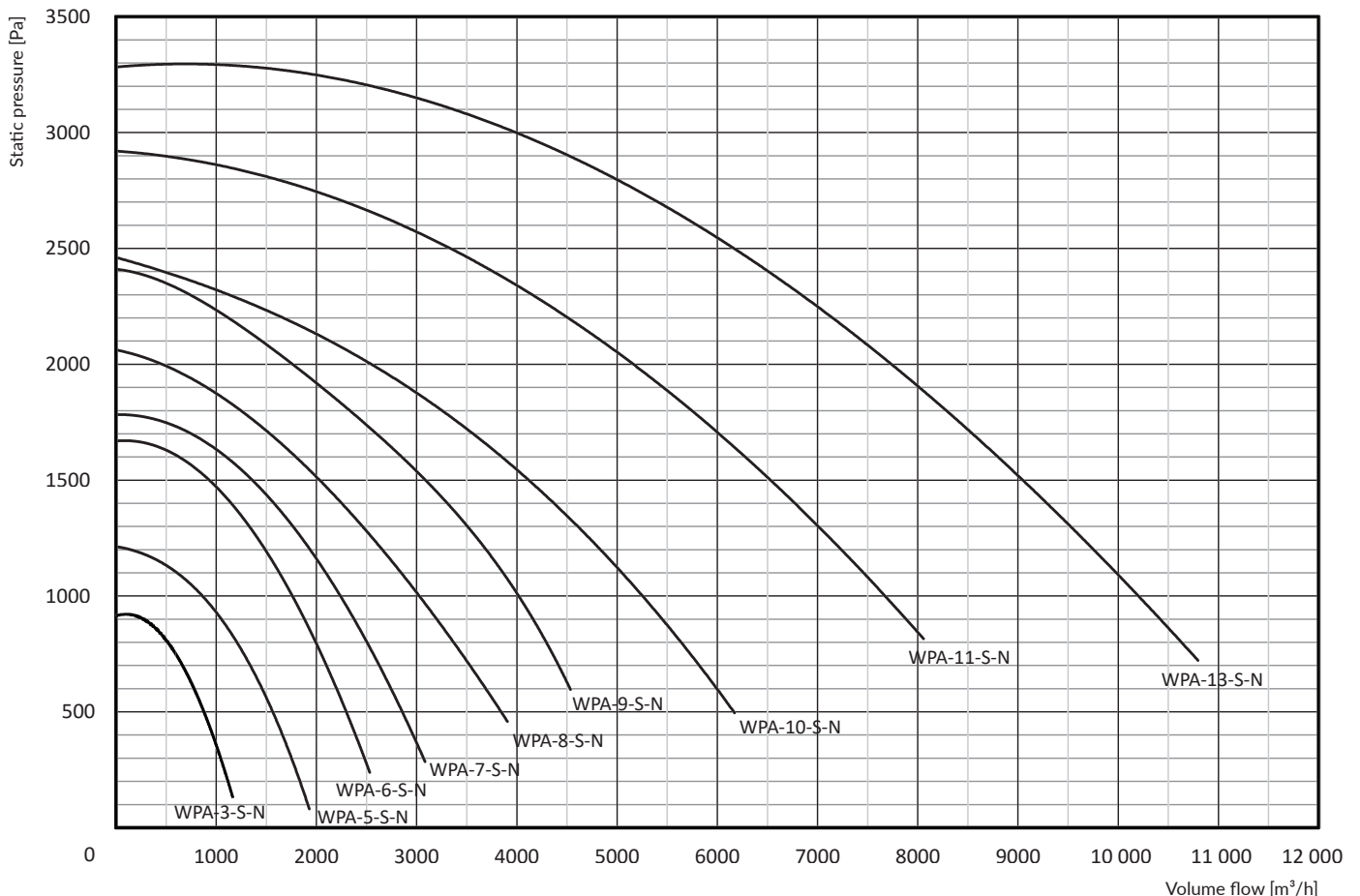
Structure

The fan consists of a steel spiral housing, and a motor. Its aluminium radial impeller is directly installed on the motor shaft (direct drive). The cross-section of the impeller blades reminds the profile of an aircraft wing, providing low acoustic pressure level of the fan. Outlet connection is adapted for attachment of round-section

flexible connectors, whereas the inlet can be equipped with a connection ferrule. For safety reasons, the inlet and outlet are equipped with protective grill. On demand of Customer, the fan can be delivered with another location of the outlet ferrule. The fan motor is screwed to the S-WPAN base which is placed on a VF-WPAN vibro-absorbing frame, to avoid vibration transmission to the floor.

On demand of Customer, we deliver safety switches to cut off the power supply during the servicing and installing activities (see catalogue card ELECTRICAL ACCESSORIES).

Note: As additional accessory, we offer connectors to attach a flexible hose to the fan inlet (see catalogue card INSTALLATION ELEMENTS).



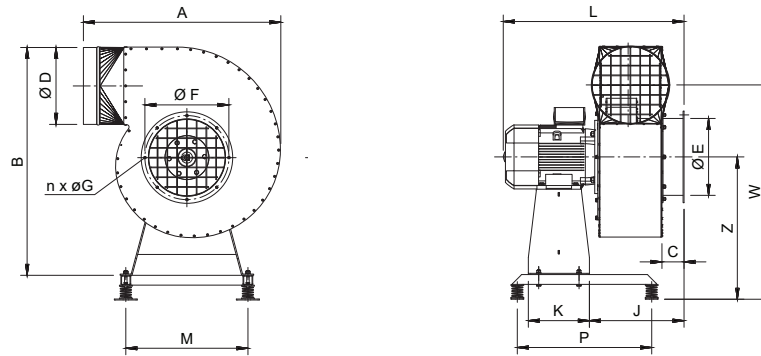
Technical data

Type	Part no.	Synchronous rotations [1/min]	Supply voltage [V]	Motor rate [kW]	Ingress protection IP	Acoustic pressure level [dB(A)] from a distance of:		Maximum volume flow [m³/h]	Maximum vacuum [Pa]	Weight [kg]
						1 m	5 m			
WPA-3-S-1-N	801W01	3000	230	0,25	54	78/70*	64/56*	1160	940	22
WPA-3-S-3-N	801W13	3000	3x400	0,25	54	78/70*	64/56*	1160	940	22
WPA-5-S-1-N	801W02	3000	230	0,37	54	76/67*	62/53*	1900	1250	27
WPA-5-S-3-N	801W03	3000	3x400	0,37	54	76/67*	62/53*	1900	1250	27
WPA-6-S-1-N	801W04	3000	230	0,75	54	83/75*	69/61*	2500	1700	32
WPA-6-S-3-N	801W05	3000	3x400	0,75	54	83/75*	69/61*	2500	1700	32
WPA-7-S-1-N	801W06	3000	230	1,1	54	86/74*	72/60*	3100	1800	34
WPA-7-S-3-N	801W07	3000	3x400	1,1	54	86/74*	72/60*	3100	1800	34
WPA-8-S-3-N	801W08	3000	3x400	1,5	54	88/78*	74/64*	3900	2050	44
WPA-9-S-3-N	801W09	3000	3x400	2,2	54	91/82*	77/68*	4500	2400	52
WPA-10-S-3-N	801W10	3000	3x400	3,0	54	91/87*	77/67*	6200	2450	65,5
WPA-11-S-3-N	801W11	3000	3x400	5,5	54	97/88*	83/74*	8050	2950	82
WPA-13-S-3-N	801W12	3000	3x400	7,5	54	99/90*	85/76*	10 800	3300	104

* Measurement has been carried out with the additional TK L = 500 mm silencer installed at the fan inlet and outlet (for WPA-3-S-N apply TK L = 370 mm silencer).

1. Maximum temperature of the conveyed air is +60°C. Maximum temperature within the work area +40°C.

2. Maximum dustiness of the conveyed air should not exceed 0,3 g/m³.



Dimensions

Type	A [mm]	B [mm]	C [mm]	W [mm]	Z [mm]	D [mm]	E [mm]	F [mm]	n [pc.]	G [mm]	M [mm]	P [mm]	K [mm]	J [mm]	L [mm]
WPA-3-S-1-N	415	515	50	550	400	125	125	155	6	7,0	345	400	200	170	370
WPA-3-S-3-N															
WPA-5-S-1-N	485	575	60	590	400	160	160	194	6	7,0	345	400	200	195	420
WPA-5-S-3-N															
WPA-6-S-1-N	500	600	60	620	410	160	160	194	6	7,0	345	400	200	205	445
WPA-6-S-3-N															
WPA-7-S-1-N	550	605	60	605	410	200	160	194	6	7,0	345	400	200	220	460
WPA-7-S-3-N															
WPA-8-S-3-N	570	685	60	685	480	200	200	224 234 246	8 6 8	9,0 7,0 9,0	425	450	220	215	490
WPA-9-S-3-N	615	730	60	725	480	200	200	224 234 246	8 6 8	9,0 7,0 9,0	425	450	220	215	510
WPA-10-S-3-N	655	810	80	780	550	250	250	274	8	9,0	500	550	250	325	650
WPA-11-S-3-N	675	830	80	805	565	250	250	274	8	9,0	500	550	250	335	665
WPA-13-S-3-N	805	940	90	880	585	315	315	344	8	9,0	500	550	250	390	735