

WPA-D-N – fan with horizontal outlet

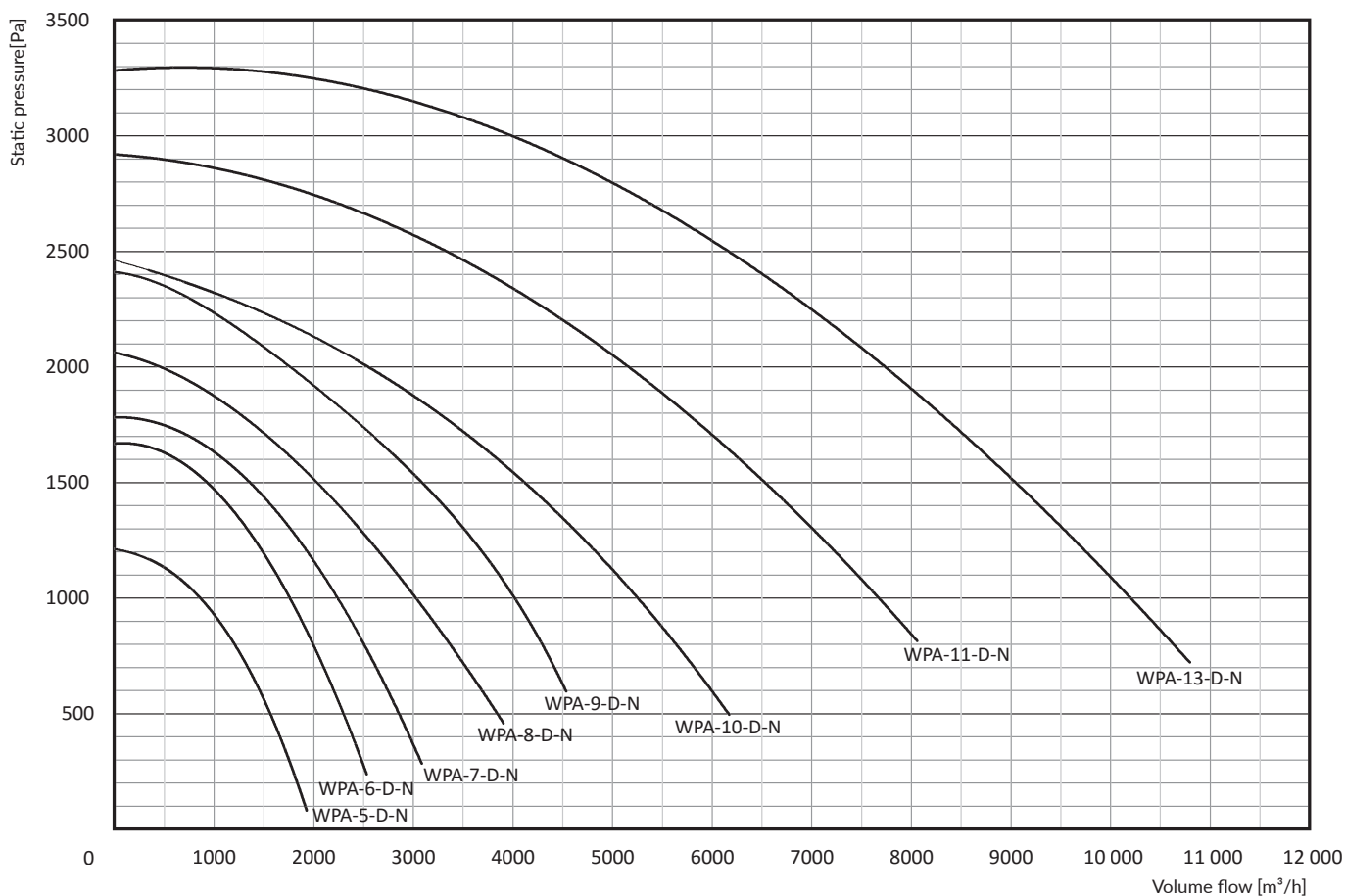


Purpose

First of all, those fans are designed for local ventilation. They are installed outside the buildings (outdoor application), on roof bases or on wall brackets. As they can overcome significant air flow resistances, they are particularly efficient within installations of local exhausts. The fans meet the requirements of the ErP 2009/125/EC Directive.

Structure

The fan consists of a spiral steel housing, motor and a plastic hood. The aluminium radial impeller is directly installed at the motor shaft. Impeller blades cross-section reminds the profile of an aircraft wing, providing low acoustic pressure level. The fan inlet is equipped with a flange to install it on a roof base or on wall bracket. Typical feature of the fan is a silencer fastened at the fan outlet of its spiral housing, directed horizontally. For safety reason, the inlet and outlet are equipped with a protective grill. It is recommended to install a TK silencer at the fan inlet (for details see acoustic data in the table). On demand of Customer, we deliver safety switches to cut off the power supply during the servicing and installing activities (see catalogue card ELECTRICAL ACCESSORIES).



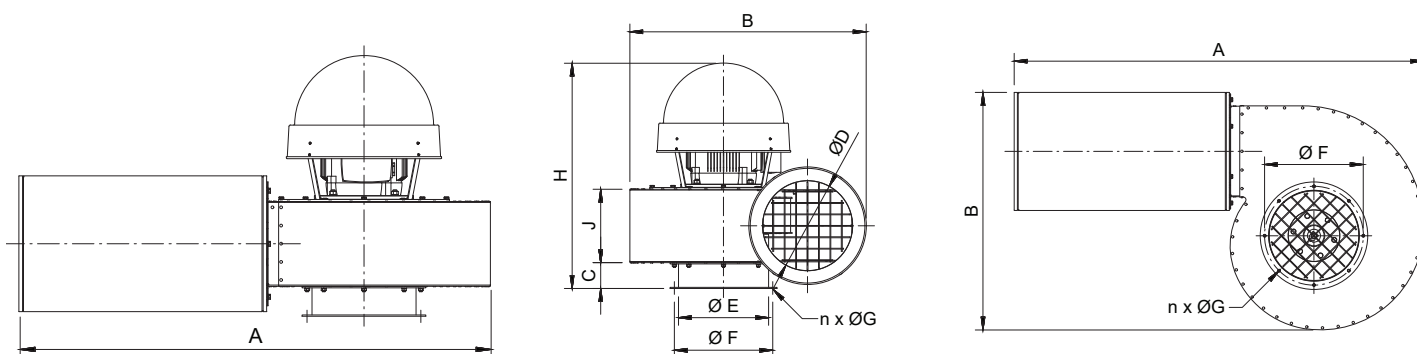
WPA-D-N

Technical data

Type	Part no.	Synchronous rotations [1/min]	Supply voltage [V]	Motor rate [kW]	Ingress protection IP	Acoustic pressure level [dB(A)] from a distance of:		Maximum volume flow [m³/h]	Maximum vacuum [Pa]	Weight [kg]
						1 m	5 m			
WPA-5-D-1-N	807W11	3000	230	0,37	54	73/67*	59/53*	1900	1250	23
WPA-5-D-3-N	807W12	3000	3x400	0,37	54	73/67*	59/53*	1900	1250	23
WPA-6-D-1-N	807W13	3000	230	0,75	54	78/75*	64/61*	2500	1700	28
WPA-6-D-3-N	807W14	3000	3x400	0,75	54	78/75*	64/61*	2500	1700	28
WPA-7-D-1-N	807W15	3000	230	1,1	54	81/74*	67/60*	3100	1800	30
WPA-7-D-3-N	807W16	3000	3x400	1,1	54	81/74*	67/60*	3100	1800	30
WPA-8-D-3-N	807W17	3000	3x400	1,5	54	82/78*	68/64*	3900	2050	36
WPA-9-D-3-N	807W18	3000	3x400	2,2	54	86/82*	72/68*	4500	2400	45
WPA-10-D-3-N	807W19	3000	3x400	3,0	54	87/81*	73/67*	6200	2450	58
WPA-11-D-3-N	807W20	3000	3x400	5,5	54	91/88*	77/74*	8050	2950	77
WPA-13-D-3-N	807W22	3000	3x400	7,5	54	95/90*	81/76*	10800	3300	98

* Measurements have been carried out with the additional TK L = 500 mm silencer installed at the fan inlet.

1. Maximum temperature of the conveyed air is +60°C. Maximum temperature within the work area +40°C.
2. Maximum dustiness of the conveyed air should not exceed 0,3 g/m³.



Top view of the fan

Dimensions

Type	A [mm]	B [mm]	C [mm]	D [mm]	E [mm]	F [mm]	n [pc.]	G [mm]	H [mm]	J [mm]
WPA-5-D-1-N	905	525	60	160	160	194	6	7,0	495	140
WPA-5-D-3-N										
WPA-6-D-1-N	915	550	60	160	160	194	6	7,0	495	140
WPA-6-D-3-N										
WPA-7-D-1-N	965	570	60	200	160	194	6	7,0	535	155
WPA-7-D-3-N										
WPA-8-D-3-N	990	600	60	200	200	224 234 246	8 6 8	9,0 7,0 9,0	540	155
WPA-9-D-3-N	1030	665	60	200	200	224 234 246	8 6 8	9,0 7,0 9,0	620	155
WPA-10-D-3-N	1045	675	80	250	250	274	8	9,0	700	232
WPA-11-D-3-N	1065	695	80	250	250	274	8	9,0	750	232
WPA-13-D-3-N	1430	830	90	315	315	344	8	9,0	790	258