

WPA-14-S-N/Ex – stationary fan



II 2 G c Ex e II T3

Purpose

The WPA-14-S-N/Ex stationary fan has been designed for use in the areas of explosion hazard, where explosive atmosphere (i.e. mixture of flammable compounds in the form of gas and vapour with the air) can occur.

Increased fan pressure make them particularly efficient within installations of local exhausts, filtering units as well as within a system of significant flow resistances.

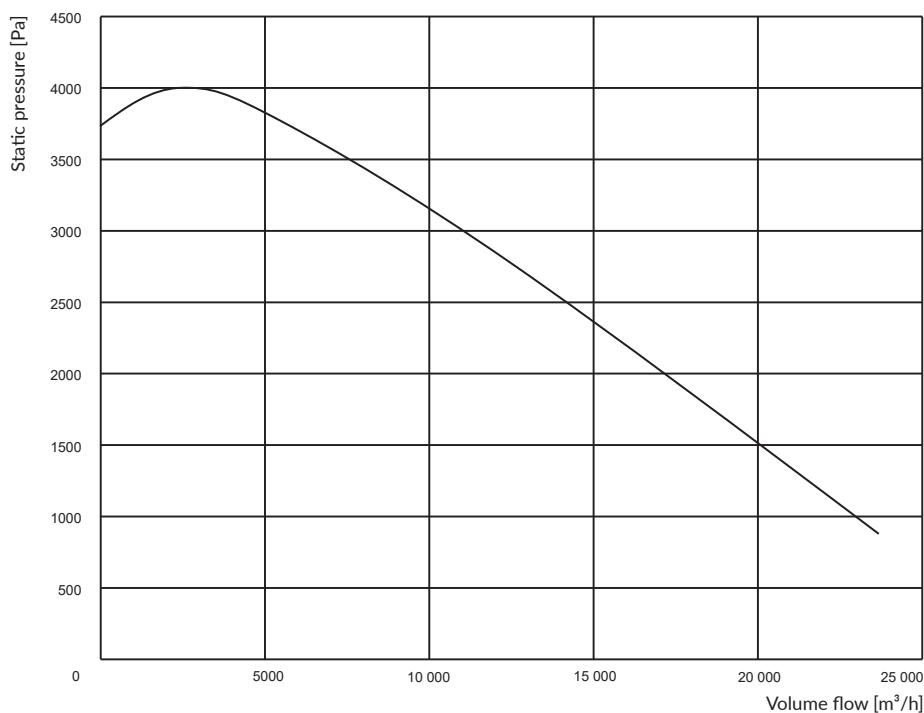
The fan can be applied within the range of temperatures -20°C up to $+40^{\circ}\text{C}$. It is efficient in forwarding the dry air, of dustiness not exceeding $0,3 \text{ g/m}^3$, without viscous contamination, aggressive compounds and of maximum temperature $+60^{\circ}\text{C}$.

Structure

The stationary fan consist of a spiral steel housing and a motor of Ex execution. The aluminium radial impeller is directly installed on the motor shaft, whereby the impeller blades cross-section is inspired by the aircraft wing profile, providing low acoustic pressure level. The outlet connection is adapted for attachment of round flexible connectors, whereas the inlet can be equipped with a connection ferrule.

For safety reason, the inlet and outlet are equipped with a protective grill. The fan motor is screwed to a base which is placed on a vibro-absorbing frame, to avoid vibration transmission to the floor.

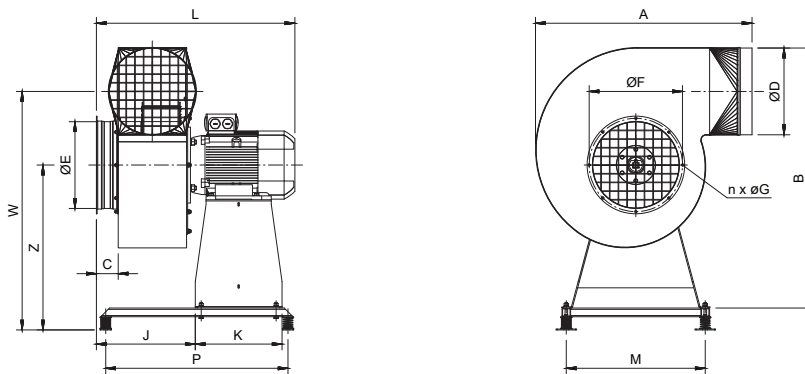
NOTE: As additional accessory, we offer connectors to attach a flexible hose to the fan inlet (see catalogue card INSTALLATION ELEMENTS).



Technical data

Type	Part no.	Marking	Synchronous rotations [1/min]	Supply voltage [V]	Motor rate [kW]	Ingress protection IP	Acoustic pressure level [dB(A)] from a distance of:		Maximum volume flow [m³/h]	Maximum vacuum [Pa]	Weight [kg]
							1 m	5 m			
WPA-14-S-N/Ex	888W28	II 2 G c Ex e II T3	3000	3x400	16	54	100	91	23 100	4000	240

1. Maximum temperature of the conveyed air is +60°C. Maximum temperature in the work area +40°C.
2. Maximum dustiness of the conveyed air should not exceed 0,3 g/m³.



Dimensions

Type	A [mm]	B [mm]	C [mm]	W [mm]	Z [mm]	D [mm]	E [mm]	F [mm]	n [pc.]	G [mm]	M [mm]	P [mm]	K [mm]	J [mm]	L [mm]
WPA-14-S-N/Ex	1000	1200	100	1100	760	400	400	430	8	10	640	840	400	455	970