

## WP-N – radial fans

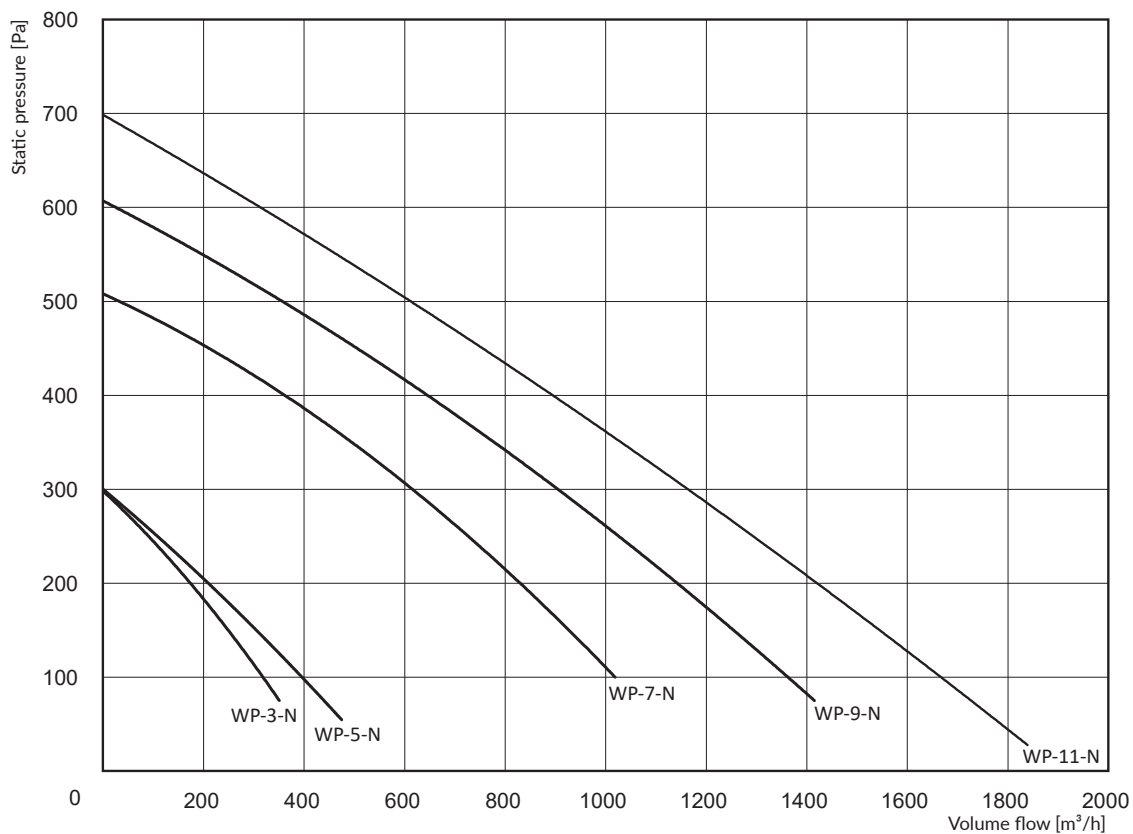


### Purpose

This series of fans is applied for transport the dust-free air in general ventilation of rooms. They are adapted for installing inside the rooms (indoor application), directly within the installation of round-section ventilation ducts. They meet the requirements of ErP 2009/125/EC Directive.

### Structure

The housing is made of ABS plastic. The fans are equipped with a radial impeller, fixed directly on the rotating stator, therefore their dimensions are not large. Main advantages of the duct fans are small dimensions, low operational noise and easy installing. On demand, we deliver safety switches to disconnect the power supply during the servicing and installing activities (for details see catalogue card ELECTRICAL ACCESSORIES).

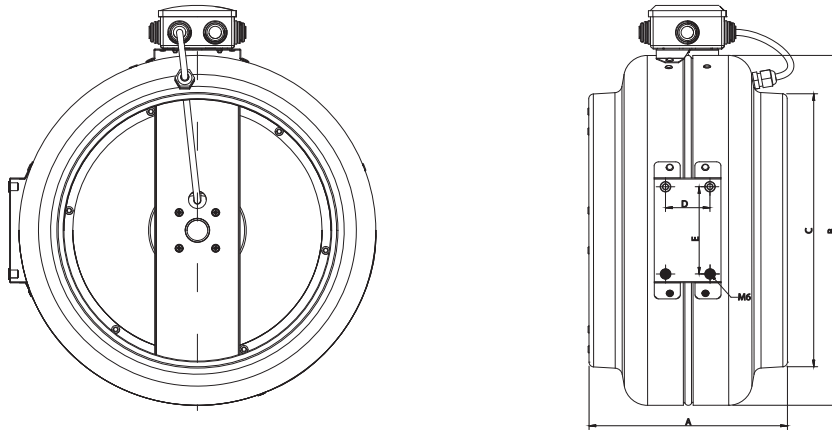


## Technical data

Type	Part no.	Synchronous rotations [1/min]	Supply voltage [V]	Motor rate [W]	Ingress protection IP	Acoustic pressure level [dB(A)] from a distance of*:		Maximum volume flow [m <sup>3</sup> /h]	Maximum vacuum [Pa]	Weight [kg]
						1 m	5 m			
WP-3-N	806W11	2220	230	54	44	66	59	350	290	3
WP-5-N	806W12	2220	230	54	44	62	57	470	290	4
WP-7-N	806W13	2670	230	124	44	71	66	1020	500	5
WP-9-N	806W14	2600	230	160	44	72	66	1420	610	6
WP-11-N	806W15	2480	230	242	44	86	74	1840	730	6

\* Acoustic pressure has been measured outside the ventilation duct.

1. Switches and installing equipment are on catalogue cards ELECTRICAL ACCESSORIES.
2. Admissible maximum temperature of the conveyed air +60°C. Maximum temperature within the work area +40°C.
3. Maximum dustiness of the forwarded air should not exceed 0,3 g/m<sup>3</sup>.



## Dimensions

Type	A [mm]	ØB [mm]	ØC [mm]	D [mm]	E [mm]
WP-3-N	217	287	125	50	100
WP-5-N	240	342	160	50	100
WP-7-N	200	342	200	50	100
WP-9-N	231	370	250	50	100
WP-11-N	223	400	315	50	100