

## WP-11/Ex – duct fan



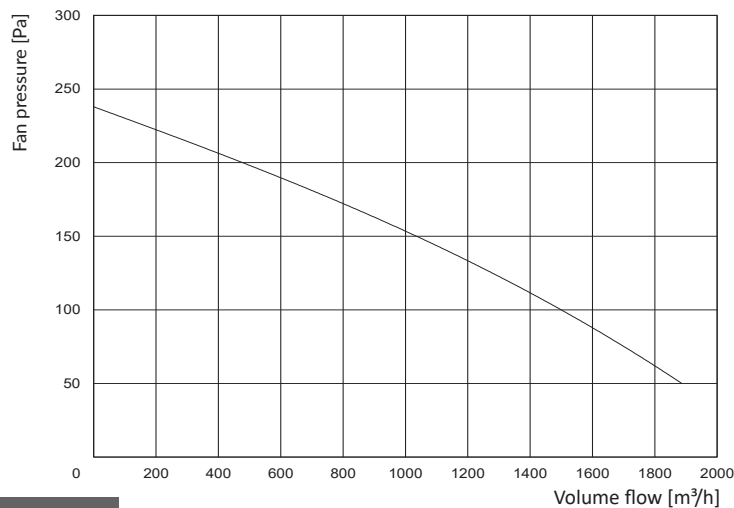
# II 2 G c Ex eb II B T3

### Purpose

These fans are meant for forwarding the dust-free air within the general ventilation of rooms, where explosive atmosphere can occur, e.g. mixture of flammable substances in form of gases, vapours and mists with the air.

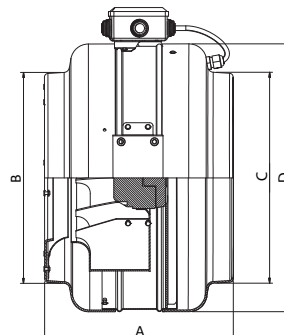
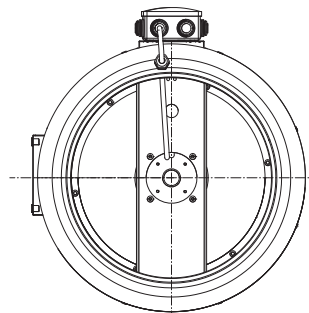
### Structure

The fan housing is made of antistatic plastic. The fans are equipped with a radial impeller mounted directly in the rotary stator, therefore the fan dimensions are smaller. Basic advantages of the duct fan are small dimensions, silent work and easy installing.



### Technical data

Type	Part no.	Marking	Synchronous rotations [1/min]	Supply voltage [V]	Motor rate [W]	Ingress protection IP	Maximum volume flow [m³/h]	Maximum vacuum [Pa]	Acoustic pressure level [dB(A)] from distance of:		Weight [kg]
									1 m	5 m	
WP-11/Ex	888W40	II 2 G c Ex eb II B T3	1320	3x400	120	44	1885	245	48	34	6,5



### Dimensions

Type	A [mm]	ØB [mm]	ØC [mm]	ØD [mm]
WP-11/Ex	377	315	315	462