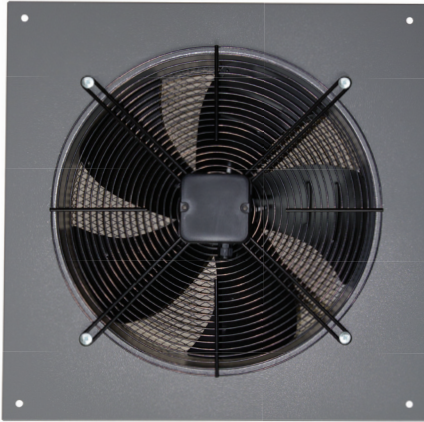


## WOK-W - extraction wall fan



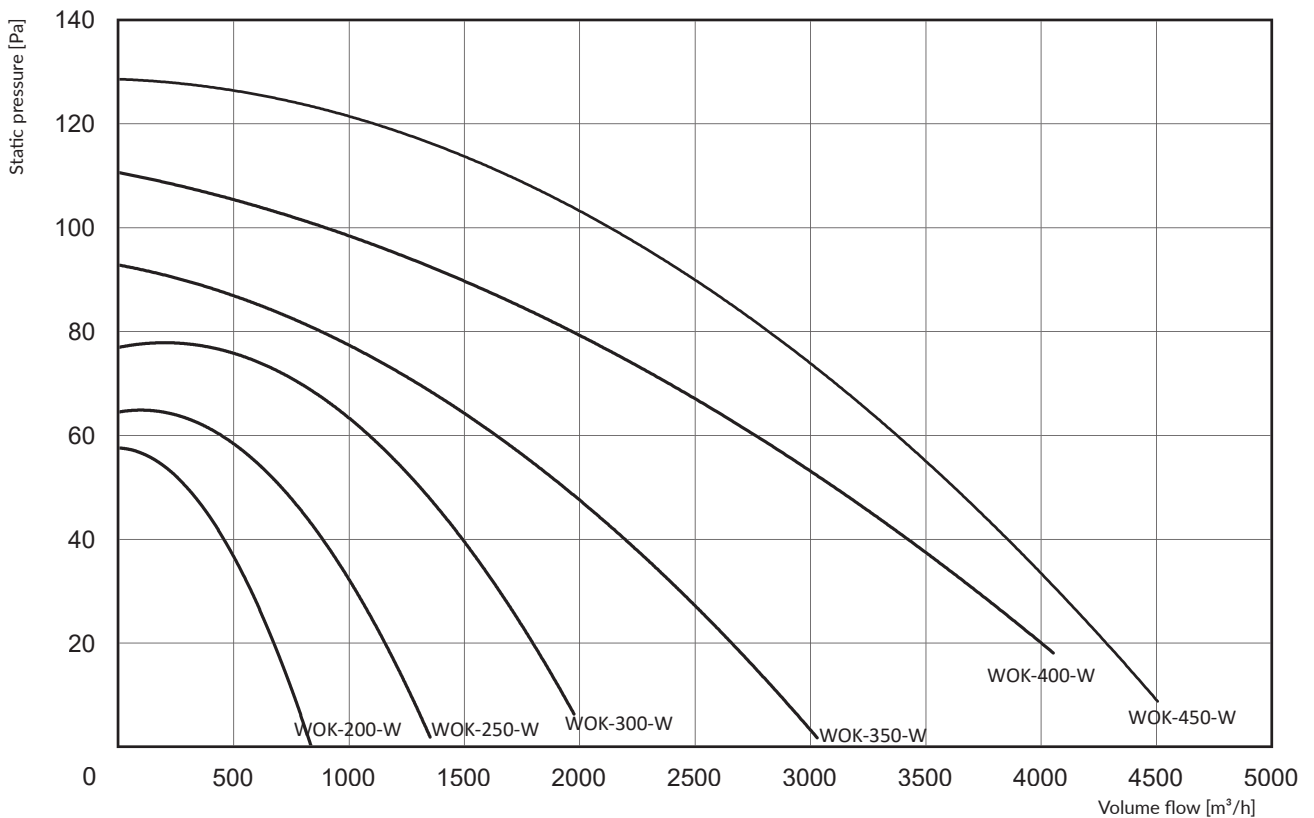
### Purpose

WOK-W fans are designed for general ventilation of process halls, workshop rooms, shops, storehouses, livestock buildings. Installed directly in the wall openings or windows, the fans serve as extraction applications.

### Structure

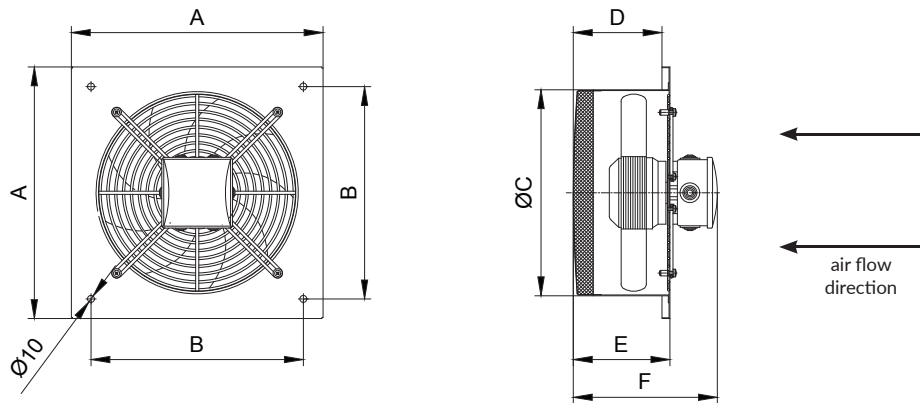
The construction consists of a cylindrical profiled housing and a shielding structure (concentric wire rings) fixed at the inlet side. Additionally, to the shielding structure is fixed a motor with impeller. For safety reasons the housing outlet is protected by a stamped net. The shielded inlet and outlet of the fan meet the safety requirements, at the same time, give the possibility of installing the fan inside or outside the process room. The fans can work in a vertical and horizontal position.

## Flow Charts



## Technical data

| Type      | Part no. | Supply voltage [V] | Synchronous rotations [1/min] | Motor rate [W] | Admissible work temperature [°C] | Acoustic pressure level [dB(A)] from a distance of: |     | Ingress protection IP | Weight [kg] |
|-----------|----------|--------------------|-------------------------------|----------------|----------------------------------|-----------------------------------------------------|-----|-----------------------|-------------|
|           |          |                    |                               |                |                                  | 1 m                                                 | 5 m |                       |             |
| WOK-200-W | 811W42   | 230                | 2000                          | 68             | +60                              | 53                                                  | 39  | 54                    | 2,65        |
| WOK-250-W | 811W43   | 230                | 2480                          | 100            | +60                              | 56                                                  | 42  | 54                    | 4,10        |
| WOK-300-W | 811W44   | 230                | 2400                          | 124            | +60                              | 58                                                  | 44  | 54                    | 6,70        |
| WOK-350-W | 811W45   | 230                | 1350                          | 110            | +60                              | 58                                                  | 44  | 54                    | 8,40        |
| WOK-400-W | 811W46   | 230                | 1365                          | 230            | +60                              | 62                                                  | 48  | 54                    | 10,45       |
| WOK-450-W | 811W47   | 230                | 1350                          | 250            | +60                              | 62                                                  | 48  | 54                    | 12,60       |

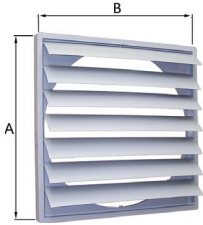


## Dimensions

| Type      | A [mm] | B [mm] | ØC [mm] | D [mm] | E [mm] | F [mm] |
|-----------|--------|--------|---------|--------|--------|--------|
| WOK-200-W | 280    | 230    | 201     | 87     | 97     | 157    |
| WOK-250-W | 320    | 270    | 232     | 113    | 123    | 185    |
| WOK-300-W | 400    | 350    | 315     | 140    | 150    | 212    |
| WOK-350-W | 480    | 430    | 365     | 145    | 155    | 220    |
| WOK-400-W | 530    | 480    | 405     | 162    | 172    | 232    |
| WOK-450-W | 605    | 555    | 460     | 162    | 172    | 232    |

## Additional equipment

### Shutters

|  | Type        | Part no. | A, B [mm] |
|-------------------------------------------------------------------------------------|-------------|----------|-----------|
|                                                                                     | ŻALUZJA-200 | 445Z04   | 245       |
| ŻALUZJA-250                                                                         | 445Z05      | 299      |           |
| ŻALUZJA-300                                                                         | 445Z06      | 347      |           |
| ŻALUZJA-350                                                                         | 445Z07      | 397      |           |
| ŻALUZJA-400                                                                         | 445Z08      | 460      |           |
| ŻALUZJA-450                                                                         | 445Z09      | 501      |           |