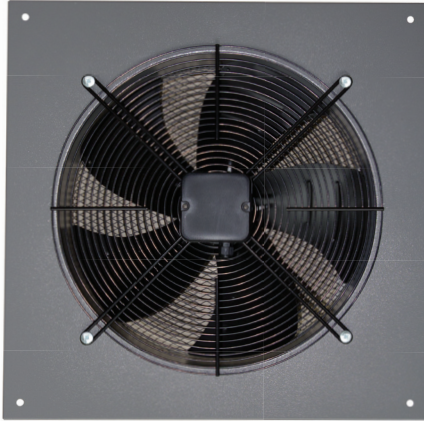


WOK-N – air-supply wall fans



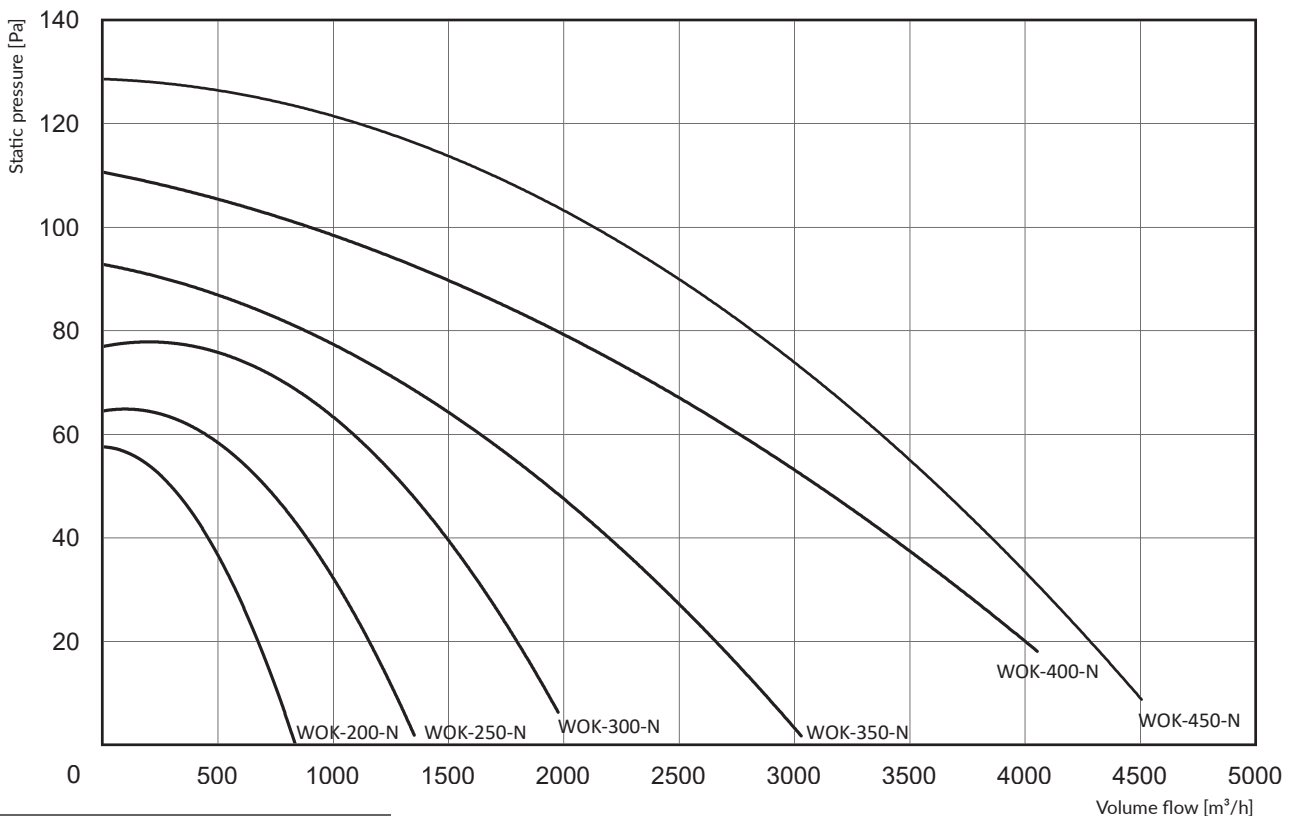
Purpose

WOK-N fans are designed for general ventilation of process halls, workshop rooms, shops, storehouses, livestock buildings. WOK-N are installed directly in the wall openings or windows, as air supply applications.

Structure

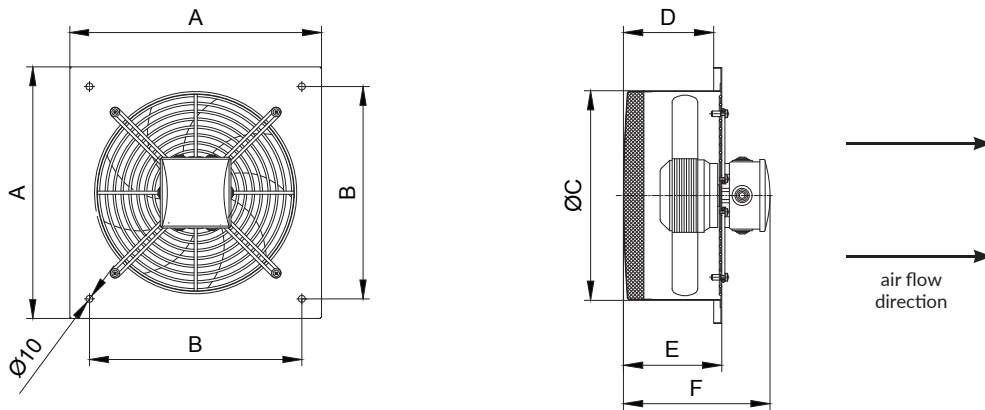
Construction: a cylindrical profiled housing and a shielding structure (concentric wire rings) fixed at the outlet side. Additionally, to the shielding structure is fixed a motor with impeller. The housing inlet is protected by a stamped net. The shielded fan inlet and outlet meet the safety requirements, at the same time, give the possibility of installing the fan inside or outside the room. The fans can work in a vertical and horizontal position.

Flow Charts



Technical data

Type	Part no.	Supply voltage [V]	Synchronous rotations [1/min]	Motor rate [W]	Admissible work temperature [°C]	Acoustic pressure level [dB(A)] from a distance of:		Ingress protection IP	Weight [kg]
						1 m	5 m		
WOK-200-N	811W36	230	2000	68	+60	53	39	54	2,65
WOK-250-N	811W37	230	2480	100	+60	56	42	54	4,10
WOK-300-N	811W38	230	2400	124	+60	58	44	54	6,70
WOK-350-N	811W39	230	1350	110	+60	58	44	54	8,40
WOK-400-N	811W40	230	1365	230	+60	62	48	54	10,45
WOK-450-N	811W41	230	1350	250	+60	62	48	54	12,60



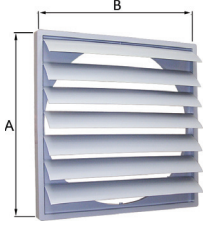
Technical Data

Type	A [mm]	B [mm]	ØC [mm]	D [mm]	E [mm]	F [mm]
WOK-200-N	280	230	201	87	97	157
WOK-250-N	320	270	232	113	123	185
WOK-300-N	400	350	315	140	150	212
WOK-350-N	480	430	365	145	155	220
WOK-400-N	530	480	405	162	172	232
WOK-450-N	605	555	460	162	172	232

Additional equipment

Shutters

The shutter should be installed to the external wall, in such a way that it is normally closed (in the state of rest), and would get opened in appropriate direction at the moment of fan starting.

	Type	Part no.	A, B [mm]
	ŻALUZJA-200	445Z04	245
ŻALUZJA-250	445Z05	299	
ŻALUZJA-300	445Z06	347	
ŻALUZJA-350	445Z07	397	
ŻALUZJA-400	445Z08	460	
ŻALUZJA-450	445Z09	501	