

## PODRYW-N – portable fan



Example of application for drying the humid rooms

### Purpose

PODRYW-N type fans are meant for:

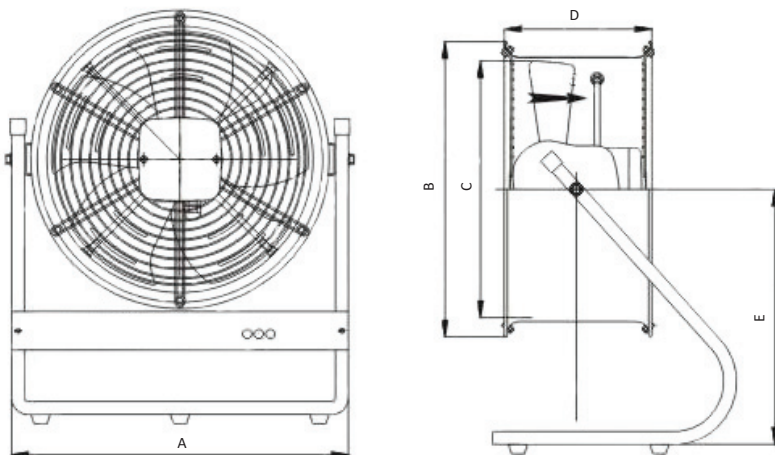
- easy access aeration for rooms and workplaces,
- air supply onto the people being in the increased temperature environment in order to improve their thermal comfort,
- blowing the air onto warm objects, elements to cool them down,
- blowing the air towards the objects being filmed or photographed (to make an air movement imitation, to create wind – for advertising),
- drying down humid rooms.

The fans can be applied in various areas: production halls, TV studios, advertising ateliers, household management buildings, spare rooms, store houses etc.

### Structure

PODRYW-N fans consist of an axial fan, mounted rotary-wise in a frame. Therefore, it can be turned around the horizontal axis and fixed at a requested position. Due to the two-step speed governor (on a front panel), it is possible to adjust the fan flow efficiency. The fan is equipped with a 1,5 metre long power supply cable with a plug.

Low noise and insignificant power consumption, provide continuous work of the fan, without inconvenience to environment.



### Dimensions

Type	A [mm]	B [mm]	C [mm]	D [mm]	E [mm]
PODRYW-500-N	620	Ø565	Ø500	230	467

### Technical data

Type	Part no.	Volume flow* [m³/h]	Supply voltage [V]	Nominal rotations* [1/min]	Motor rate* [W]	Admissible temperature in the work area [°C]	Acoustic pressure level [dB(A)] from a distance of*:		Weight [kg]
							1 m	5 m	
PODRYW-500-N	807W44	5800 8850	230	950 1390	230 370	40	66 68	53 55	17

\* Data for the fans are given for two rotational speed variants of the impellers.