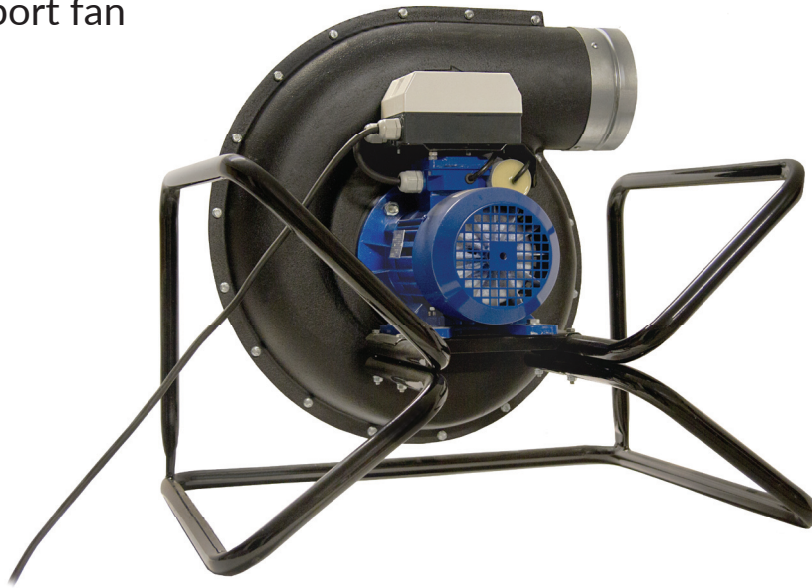


FAST-P – transport fan



Purpose

Transport radial fans are applied for air-supply- or extraction ventilation of rooms and workplaces. Both, they can be used for general ventilation and local extraction, within this for conveying small size wood chips and dusts arising during technological processing of such materials as wood, paper, leather, fabric, plastic. In these applications FAST-P serves as a transport fan. Additionally, FAST-P can be applied for drying the humid rooms by forcing multiple air changes and by directing the outlet air stream directly onto the humid wall. The construction meets the requirements of the ErP 2009/125/EC Directive.

Structure

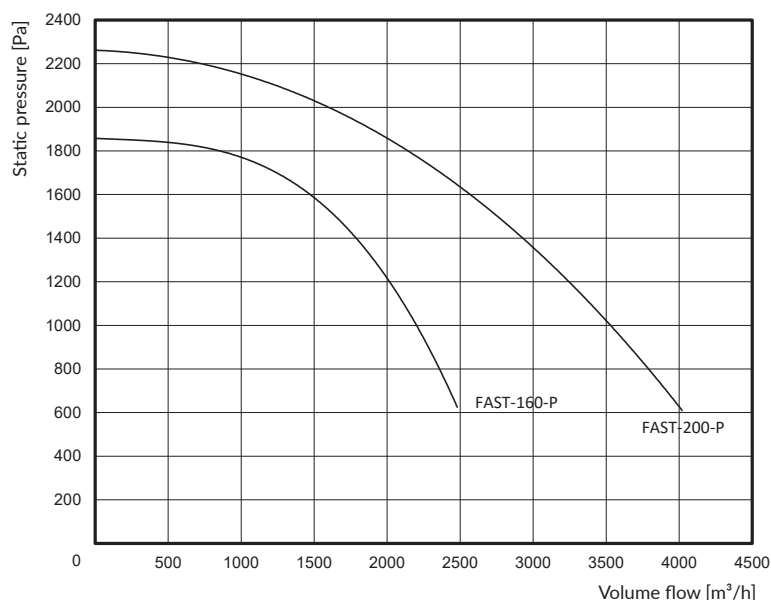
The fan is driven directly. Hosing and impeller are made of aluminium cast. The impeller is directly mounted on the motor shaft (direct drive). The fan is placed on a steel pipe frame, so it is easy to displace and put it stably at the requested place of operation. Inlet and outlet are adapted to connect hoses by clamps. On the top of the motor is placed a motor switch with short-circuit- and overload protection. Each fan is equipped with a five-metre-long power supply cable with a plug.

Operational use

In case when the portable fan is applied for local extraction, fasten a hose of suitable diameter at the fan inlet. Additionally, the hose must have a suitable suction nozzle attached at its end.

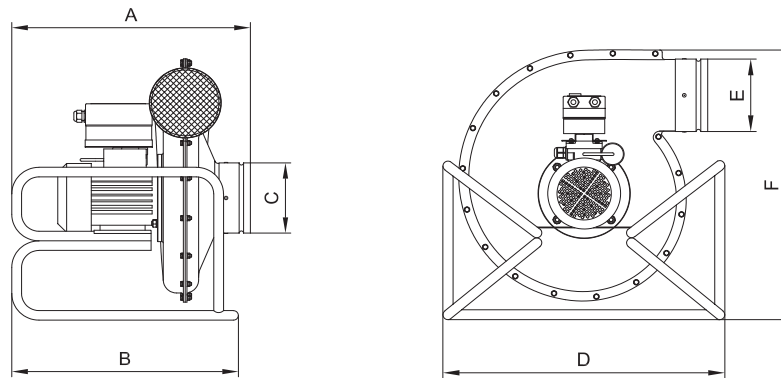
In case of applying the fan for air-supply ventilation, lead the hose (connected with outlet of the fan) into the ventilated room.

In applications for humid rooms – simply, put the fan inside the room and to direct the fan outlet towards the humid wall, while the suction hose leads outdoors. The fan can work also outside the building, but it is necessary to protect it from atmospheric factors – in this application the hose is forwarding the air into the room.



Technical data

Type	Part no.	Synchronous rotation [1/min]	Supply voltage [V]	Motor rate [kW]	Ingress protection IP	Acoustic pressure level [dB(A)] from a distance of:		Maximum volume flow [m ³ /h]	Maximum vacuum [Pa]	Weight [kg]
						1 m	5 m			
FAST-160-P	805W86	3000	230	0,75	54	87,5	78	2500	1800	27
FAST-200-P	805W87	3000	230	1,5	54	92	86,5	4000	2300	32



Dimensions

Type	A [mm]	B [mm]	C [mm]	D [mm]	E [mm]	F [mm]
FAST-160-P	533	556	160	667	160	620
FAST-200-P	573	650	200	700	200	676