

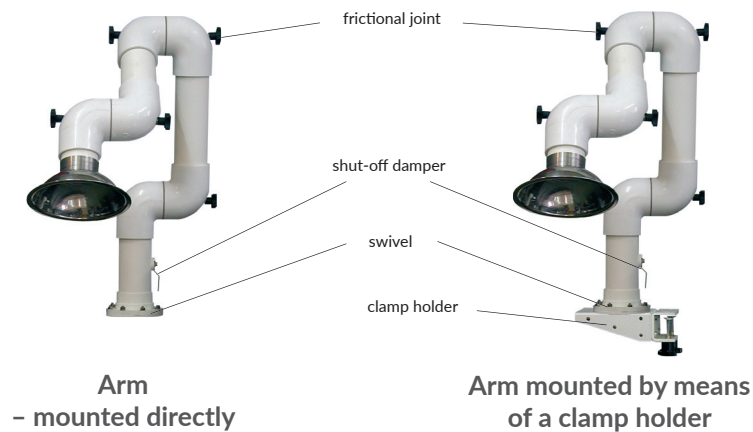
ERGO-MINI – extraction arms



Purpose

Acid-proof extraction arms ERGO-MINI are designed for removal the dust and gas impurities arising at workplaces during processes of not large emission of contamination. They are manufactured in two diameters Ø50 and Ø75. Due to the self-adjustable frictional joints and swivel, User can set the arm in the most convenient work position. The elements of the extraction arm are construc-

ted of acid-proof materials (i.e. PVC, polyamide, stainless steel). They can be applied among others in chemical-, pharmaceutical-, electronic industries as well as in jewellery workshops. The extraction arm can work with an appropriate extraction fan that serves a main collecting ductwork, where other several to several dozen extraction arms are connected.



Arm
– mounted directly

Arm mounted by means
of a clamp holder

Structure

Extraction arms are manufactured in versions varying in diameter and workrange. The ERGO-MINI arm consists of subsequent parts:

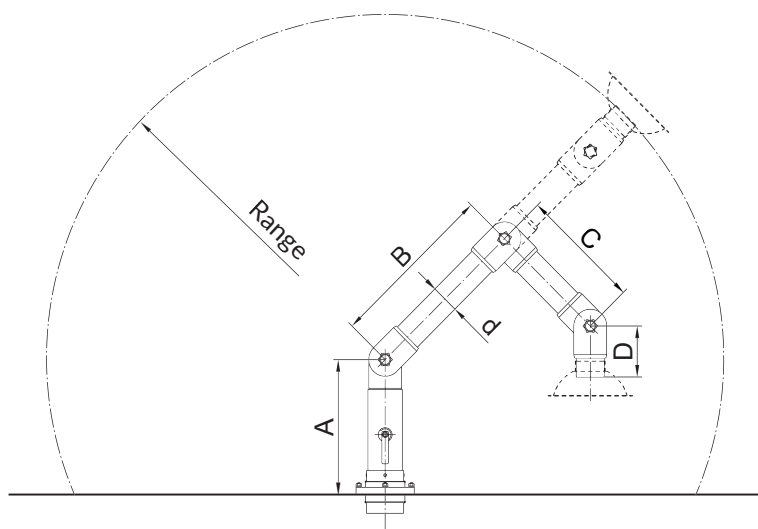
- swivel with a vertical pipe,
- three adjustable pipe segments,
- elbow joints with adjustment of the frictional moment,
- clamp holder (delivery on demand),
- replaceable hoods (delivery on demand).

The pipe of the swivel contains a shut-off damper and can make a full rotation around the vertical axis.

The arm can be mounted to the tabletop in following ways:

- directly (through a mounting flange),
- by means of clamp holder.

ERGO-MINI

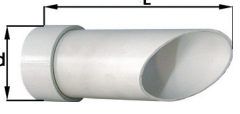




ERGO-MINI/K-50/3, ERGO-MINI/K-75/3

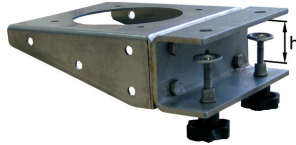
Technical data

Type	Part no.	Workrange [mm]	d [mm]	A [mm]	B [mm]	C [mm]	D [mm]	Weight [kg]	Flow resistances at volume flow 120 m ³ /h [Pa]
ERGO-MINI/K-50/3-950	810R53	720	60	280	360	260	100	2,5	490
ERGO-MINI/K-75/3-1150	810R59	950	80	265	460	360	130	3,0	220

Replaceable hoods

Sort	Type	Part no.	Dimension [mm]			Weight [kg]
			d	D	L	
	SS-50/K	810S70	70	—	180	0,12
	SS-75/K	810S71	85	—	200	0,19
	SM-50/K	810S72	64	158	70	0,12
	SM-75/K	810S73	76	200	80	0,18
	SD-50/K	810S74	64	182	80	0,15
	SD-75/K	810S75	76	222	90	0,20

Clamp holder (one size for dimensions 50 mm and 75 mm)

	Type	Part no.	h [mm]	Weight [kg]
	VK/K	810U06	30	0,45

NOTE: Ordering the devices and accessories specify their name and Part.No.