

DOG-1 – portable blower



Drying the firehoses



Drying the humid walls



Fresh air supply during the rescue actions

Purpose

Subsequent applications of DOG-1 blower:

- local drying the walls in humid rooms,
- drying the inner surface of the firehoses at fire departments,
- supplying fresh air during the rescue actions to places without ventilation; Fresh air can be conveyed within a distance even of several dozen metres; The device can deliver the necessary air for even 10 people.

Lightweight structure and quick-connectors for hose attachment make the blower very easy in use.

Structure

The blower consists of a housing and a high-pressure turbine. The housing is equipped with a handle to carry the device from one place to another. On the upper housing surface is located a motor switch to operate the turbine. The appliance is equipped with a standard quick-connector to attach the hoses. The outlet air is automatically warmed up by 30°C.

The blower is equipped with a five-metre-long power supply cable, ended with a plug.

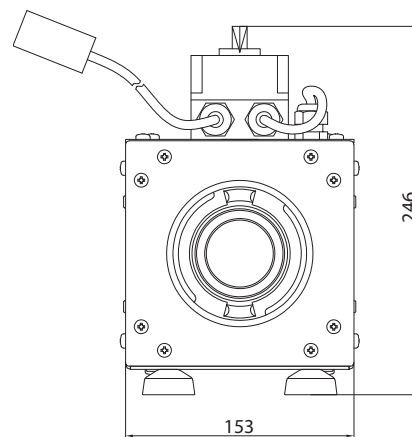
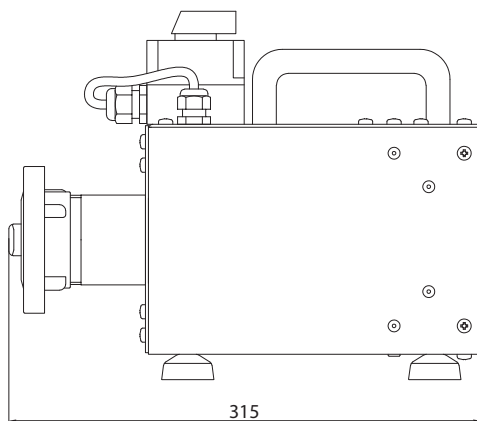
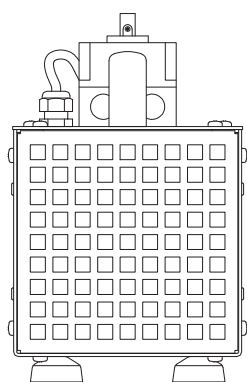
Operational use

In application of room drying, put the blower outlet in distance of approx. twenty centimetres from the humid wall and, (depending on the drying progress), change the blower position. It is recommended that there is fresh air access to the dried room. Provided that, there is applied a flexible hose fastened through a quick-connector at the device outlet, the blower can be placed in another room or outside the building. The hose tip can precisely remove humidity, even from the most inaccessible places. In larger rooms, it is recommended to apply several blowers, whereby each of them is directing the air towards another wall. For firehose drying, connect it through a quick-connector. If the DOG-1 blower is used for air supplying to disastrously cut-off people (during the rescue action), connect through a quick-connector the firehose or a flexible hose and place its outlet in a place allowing a free air access.

DOG-1

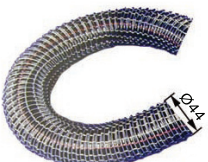
Technical data

Type	Part no.	Volume flow [m³/h]	Supply voltage [V]	Motor rate of the turbine [kW]	Maximum pressure [Pa]	Acoustic pressure level [dB(A)] from a distance of:		Weight [kg]
						1 m	5 m	
DOG-1	843W27	225	230	1,6	30 000	81	78	7




Additional equipment

Hose

	Type	Part no.	Weight [kg/m]	Remarks
	PCV FLEX-44	421P35	0,36	Flexible extraction hose. Standard length: 15 m. Technical Data – see card VENTILATION ACCESSORIES.

Connection

	Type	Part no.	Weight [kg]	Remarks
	KR-DOG	830Z22	0,6	To connect the PVC FLEX-44 hose with the DOG-1 blower.



Drying of the hard-to-reach places through a hose