

BULLET-N – fan with horizontal outlet



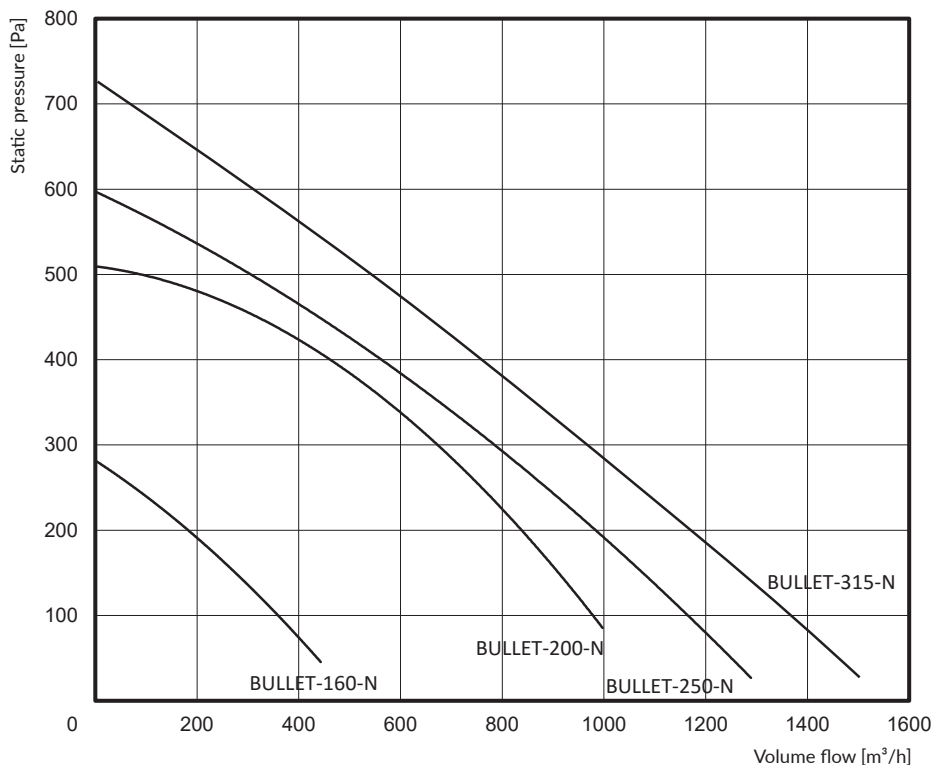
Purpose

As solution, the BULLET-N roof fans are appropriate for general ventilation of buildings. They have been developed for forwarding the dry air of maximum temperature +40°C, of dustiness not exceeding 0,3 g/m³. The conveyed air must not contain viscous substances, neither compounds creating hazard of explosion. The series of fans counts four sizes of connection diameters 160, 200, 250, 315 mm. The fans meet the requirements of ErP 2009/125/EC Directive.

Structure

BULLET-N consists of a cylindrical plastic housing, with a radial impeller and motor inside. The housing is protected by a plastic hood. The fan outlet is directed downwards to the roof. The fan has to be installed on a roof base through a flange screwed up at the inlet ferrule.

It is recommended to install the fan on a sound absorbing roof base type TPD-N or TPDC-N (or on typical roof bases BI or BII alternatively). On demand of Customer, we deliver speed governors type RP for a step-less adjustment of the fan volume flow. As standard, the fans are manufactured in black colouring. On demand, we deliver safety switches to disconnect the power supply system during the installing or service activities (for details see catalogue card ELECTRICAL ACCESSORIES).



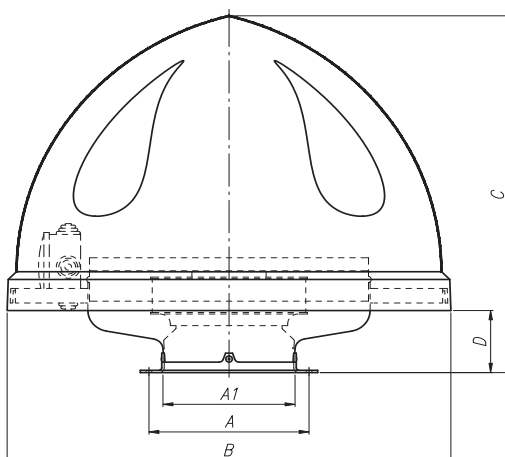
NOTE:

The above mentioned values of the acoustic pressure level are specified for fans mounted on the sound absorbing roof base TPD-N or TPDC-N. To reduce more the noise level, a TK silencer can be suspended underneath the TPD-N or TPDC-N base.

Technical data

Type	Part no.	Synchronous rotations [1/min]	Supply voltage [V]	Motor rate [W]	Ingress protection IP	Acoustic pressure level [dB(A)] from a distance of:					Maximum volume flow [m³/h]	Maximum vacuum [Pa]	Weight [kg]
						outlet				inlet			
						1 m	5 m	10 m	15 m	1 m			
BULLET-160-N	807W07	2220	230	54	44	57	47	40	36	48	440	280	6,0
BULLET-200-N	807W08	2670	230	124	44	63	53	46	43	55	1000	520	7,0
BULLET-250-N	807W09	2600	230	160	44	66	57	49	46	58	1300	600	8,0
BULLET-315-N	807W10	2480	230	242	44	65	57	48	45	58	1500	730	8,3

Dimensions



Type	A [mm]	A1 [mm]	B [mm]	C [mm]	D [mm]
BULLET-160-N	194 (6xØ7)	160	538	460	80
BULLET-200-N	224 (8xØ9)	200	538	460	80
BULLET-250-N	274 (8xØ9)	250	538	460	80
BULLET-315-N	344 (8xØ9)	315	538	460	80