



WPA-14-S-N – stationary fan



Purpose

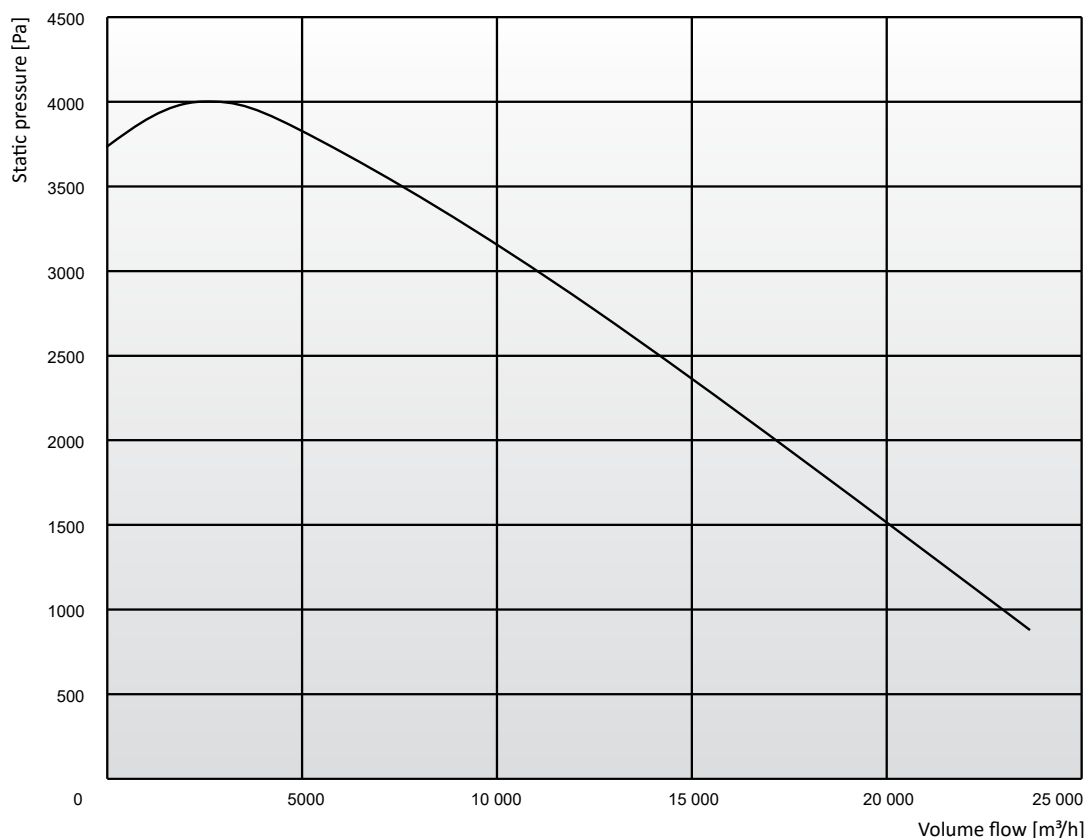
WPA-14-S-N is designed for air-supply- or extraction ventilation of rooms and workplaces, is recommended especially for use with system of local exhausts. The fan can be installed stationary in a ventilation rooms or other technical rooms. Do not use the fan for conveying the media of aggressive properties or substances causing explosion hazard. The construction meets the requirements of the ErP 2009/125/EC Directive.

Structure

The fan consists of a steel spiral housing and a motor. Its radial impeller is directly installed on the motor shaft (direct drive). The cross-section of the impeller blades reminds the profile of

an aircraft wing, providing low acoustic pressure level of the fan. Outlet connection is adapted for attachment of round-section flexible connectors, whereas the inlet can be equipped with a connection ferrule. For safety reasons, the inlet and outlet are equipped with protective grill. On demand of Customer, the fan can be delivered with another location of the outlet ferrule. The fan motor is screwed to the base which is placed on a vibro-absorbing frame, to avoid vibration transmission to the floor.

On demand of Customer, we deliver safety switches to cut off the power supply during the servicing and installing activities (see catalogue card ELECTRICAL ACCESSORIES).

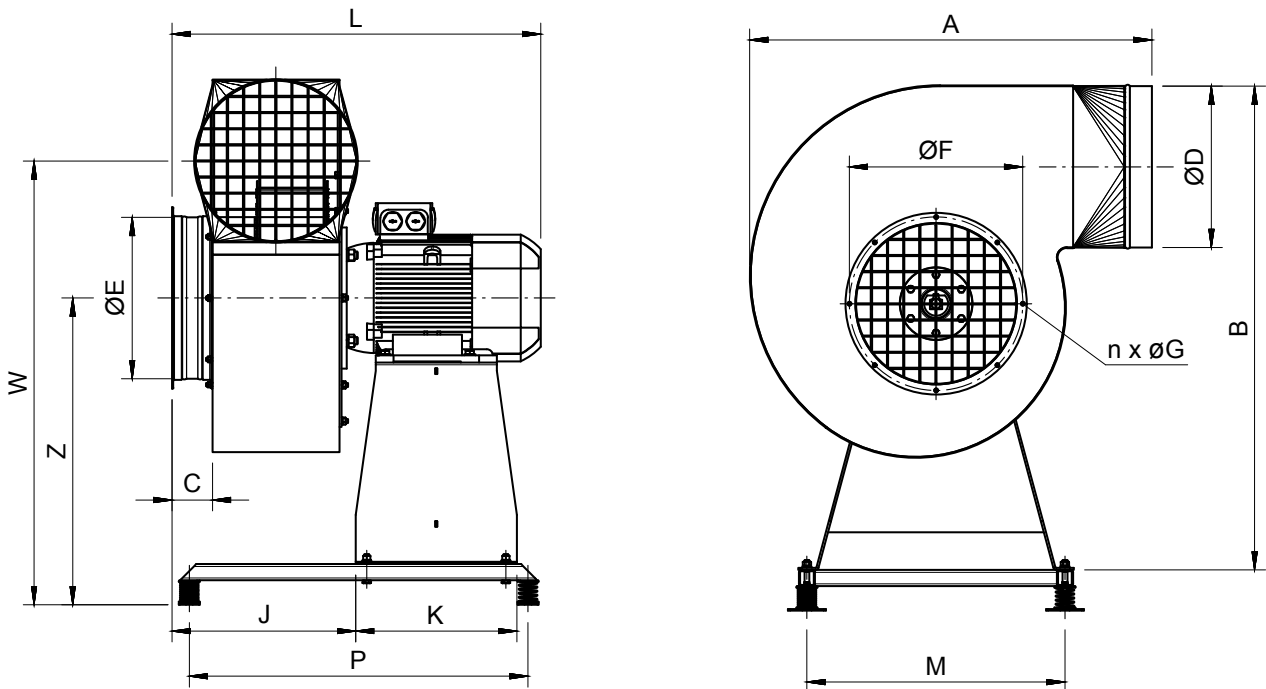




Technical data

Type	Part no.	Synchronous rotations [1/min]	Supply voltage [V]	Motor rate [kW]	Ingress protection IP	Acoustic pressure level [dB(A)] from a distance of:		Maximum volume flow [m³/h]	Maximum vacuum [Pa]	Weight [kg]
						1 m	5 m			
WPA-14-S-3-N	804W15	3000	3x400	15	54	100	91	23 100	4000	182

1. Maximum temperature of the conveyed air is +60°C. Maximum temperature within the work area +40°C.
2. Maximum dustiness of the conveyed air should not exceed 0,3 g/m³.



Dimensions

Type	A [mm]	B [mm]	C [mm]	W [mm]	Z [mm]	D [mm]	E [mm]	F [mm]	n [pc.]	G [mm]	M [mm]	P [mm]	K [mm]	J [mm]	L [mm]
WPA-14-S-3-N	1000	1200	100	1100	760	400	400	430	8	10	640	840	400	455	915